



We the offerer:

Bose Corporation, The Mountain, Framingham, MA 01701-9168 USA

acknowledge our sole responsibility, that the product:

Kind of Equipment: Loudspeaker

Type designation: 101® SERIES II MUSIC MONITOR® LOUDSPEAKER

in accordance with EMC Directive 89/336/EEC
and Article 10(1) of the Directive,

is in compliance with the following norm(s) or document(s):

Technical regulations: EN50081-1, EN50082-1

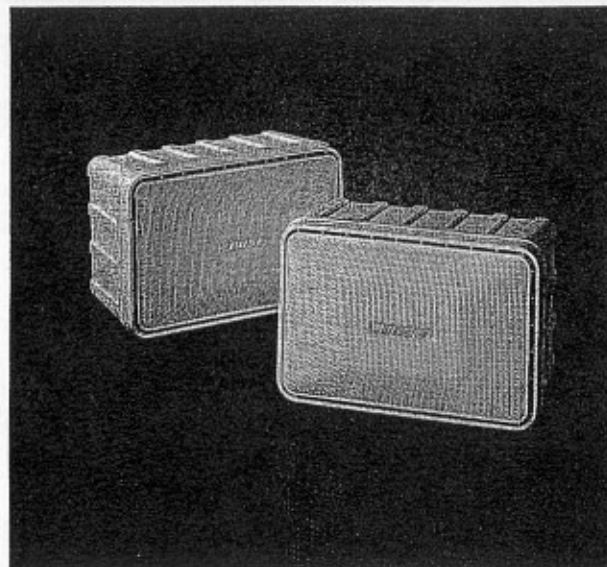
Accredited by Bose Corporation

15 January 1997

Bose B.V.
Nijverheidstraat 8, 1135 GE Edam
The Netherlands

Tony Schalkamp
General Manager, Bose Europe
Manufacturer's authorized EU representative

The Bose® 101® Series II Music Monitor® Speaker System Owner's Guide



Introduction

Thank you for purchasing the Bose 101 Series II Music Monitor speaker system. It is designed to deliver true high fidelity sound when connected to almost any receiver.

Unpacking Your 101 Series II Speakers

Both 101 speakers are packed in one carton. Unpack the carton carefully. Save it and the packing materials for possible future use.

Connecting Your 101 Series II Speakers

Speaker cord consists of two insulated wires. The insulation around one wire is marked (striped, collared, or ribbed). This marked wire is always positive (+). The plain wire is always negative (-). These wires correspond to the red (+) and black (-) terminals on the speakers and the receiver. See Figure 1.

1. Strip approximately ½" of insulation from each end of both speaker wires.
2. Press the terminal tab on the back of each speaker to insert the appropriate wire. See Figure 2. Connect one speaker cord to your right speaker. Attach the marked wire at one end to the red (+) terminal. Attach the plain wire at that end to the black (-) terminal.
3. Connect the other end of the same cord to the RIGHT SPEAKER OUTPUT of your receiver. Attach the marked wire to the red (+) terminal. Attach the plain wire to the black (-) terminal.
4. Connect the second cord to the left speaker and LEFT SPEAKER OUTPUT. Follow the steps in 2 and 3 above.

BOSE
Better sound through research®

© 1997 Bose Corporation
The Mountain, Framingham, MA 01701-9168
JN97854 PN190197 Rev.01 AM190197 Rev.01

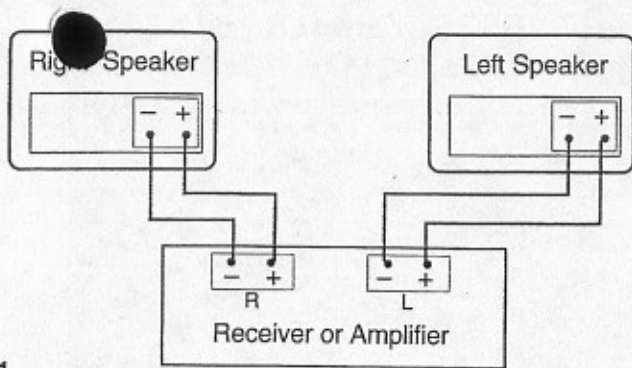
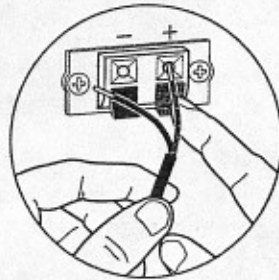


Figure 1

Connect the wire from the positive (red) terminal on each speaker to the corresponding positive terminal on your receiver. Similarly, connect the wire from the negative (black) terminal on each speaker to the negative terminal on your receiver.

Figure 2

Connect a speaker cord to each 101[®] Series II speaker by depressing the tabs and inserting the bare ends of the wires. Connect the positive wire to the red terminal and the negative wire to the black terminal.



Phasing Test

To make sure that your speakers are connected to your receiver in phase (positive to positive and negative to negative) perform this simple test:

Set your receiver or amplifier to MONO if that is an option. Set the balance control to the middle (normal) position.

Temporarily place the loudspeakers so they are facing each other at close range.

Play some deep bass passages of music through the speakers. The sound should seem to come from a point directly between the speakers, with full, rich bass.

If the music seems to be lacking in deep bass, reverse the + and - connections on one speaker and repeat the test. Use the connection which produces the most powerful bass.

Using the Speakers with a TV

To use your 101 Series II speakers in an audio/video system, be sure to place speakers at least nine inches from the television monitor. This prevents interference with the picture quality.

Maintenance

To clean your speakers, turn off your receiver or amplifier. Then, simply wipe with a damp cloth. Be sure to keep moisture away from the speaker terminals.

Warranty

The Bose[®] 101[®] Series II Music Monitor[®] speaker system is covered by a limited five year warranty.

In Case of Difficulty

If your 101 Series II speaker system exhibits any of the following problems, try the suggested solutions before returning it for service.

Problem	Reason/Solution
Only one speaker plays.	One speaker wire is improperly connected. Check the wires and connections. See Figure 2. Adjust the balance control on your receiver or amplifier.
Neither speaker plays.	Your receiver or amplifier is set for operation with headphones only. Reset your receiver or amplifier. The tape monitor switch on your receiver or amplifier is in the <i>on</i> or <i>tape</i> position. Reset the tape monitor switch.
Weak bass.	Speakers may be out of phase. Perform the "Phasing Test" and reconnect them.

If you are still having trouble with your speakers, please contact Bose at 1-800-367-4008 to verify any defect and arrange for service. Bose Corporation will make every effort to remedy any problem within the terms of the warranty.

Accessories

To make your Bose 101 Series II speaker system even more flexible and fun, the following accessories are available from your Bose dealer, or directly from Bose Corporation. For information call 1-800-444-2673 between 8:30 am and 9:00 pm eastern time.

Accessory	Description	Model	Part Number
101 Wall Bracket	Mounts your 101 Series II speaker on a wall or other surface.	WB-10	125384
101 Travel Bag	Transports two 101 Series II speakers from place to place, easily and safely.	TB-2	134899