

---

**BOSE®**

---

**ACOUSTIC WAVE®**

---

**MUSIC SYSTEM**

---

**POWER CASE**

---

**OWNER'S GUIDE**

---



***BOSE*®**

Thank you for purchasing this Power Case for your Acoustic Wave® music system (AWMS™ unit). You will find that the Power Case makes it easy and comfortable to carry your system and accessories with you. The side pockets allow you to carry cassettes or compact discs.

Please read this owner's guide for instructions on use and care of the Power Case.

**NOTE:** The Power Case offers some protection from damage. As with any precision electronics product, however, you should avoid exposing the AWMS unit to sand, moisture, and extreme temperature. For more information, please consult your Acoustic Wave® music system owner's guide.

## Installing batteries

1. Fully unzip and open the Power Case. Then, using both hands, squeeze at the four locations shown (Figure 1) to lift the battery cover off the case. If replacing batteries, remove old batteries.

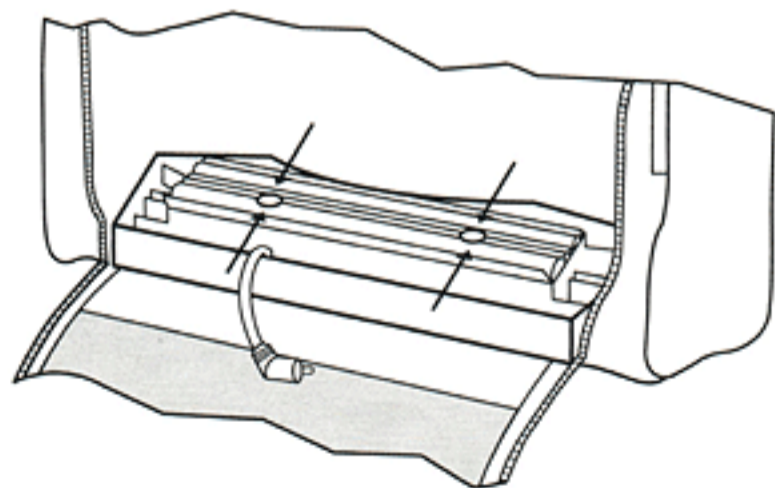


Figure 1

2. Insert ten "D" cell alkaline batteries as shown by the diagram on the base of the battery pack. Replace the battery cover, lining up holes and posts and pressing down along the center until it seals firmly in position (Figure 2).

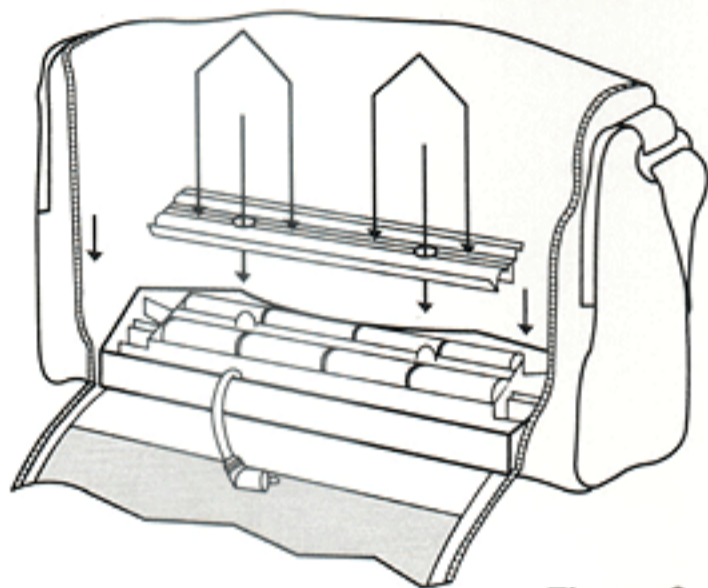


Figure 2

## Hooking up the AWMS unit to the battery pack

1. Fully unzip and open the Power Case. Now, pull the connecting cord toward you, over the rear edge of the battery chamber. Place the AWMS unit on the base as shown, aligning the location holes on the base of the unit with the posts on the battery pack (Figure 3).

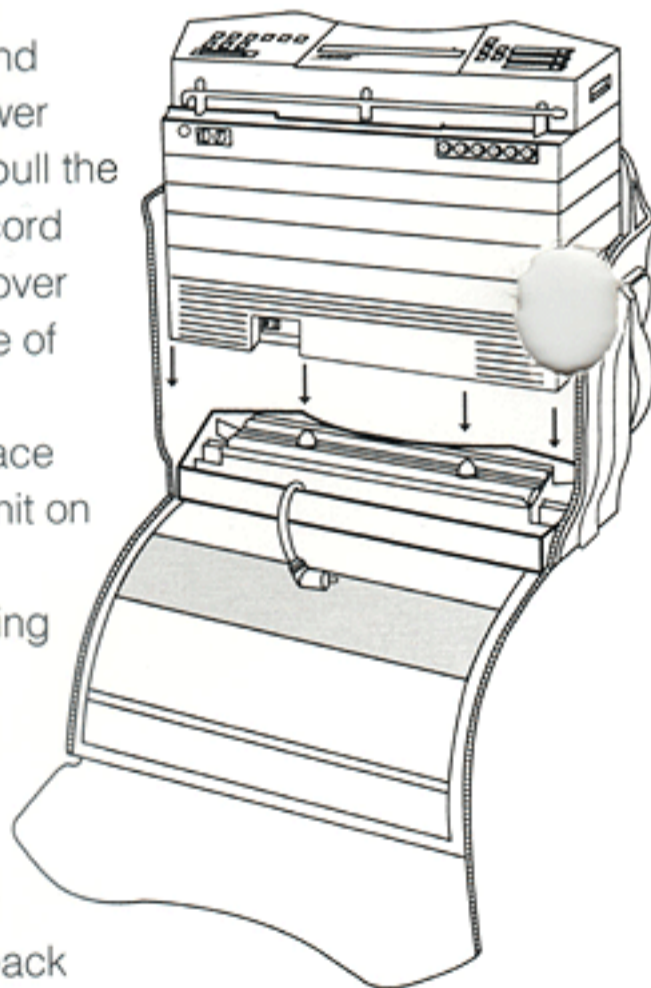


Figure 3

- Slide the AC/DC switch on the AWMS™ unit to the left (DC position). Insert the small end of the battery pack's connecting cord into the DC connection (*Figure 4*).
- Pull the corner flaps of the Power Case over the top of the unit and zip up the side zippers.

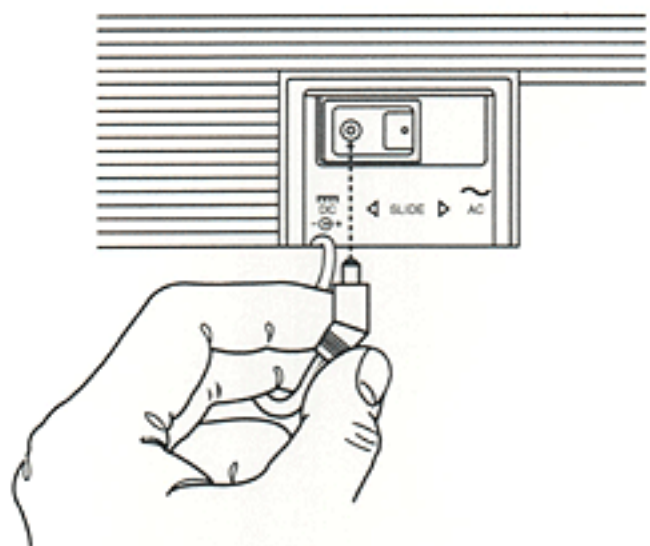


Figure 4

## Reversing the carrying strap

The carrying strap to the Power Case is intentionally contoured to distribute the weight of the AWMS unit evenly across your shoulder. In the normal carrying position, the curved front of the AWMS unit will be closest to your body. If you wish to carry the unit with its back toward you,

simply reverse the contoured strap (*Figure 5*).

This is done by unthreading the strap at both ends, turning it around, and firmly refastening it.

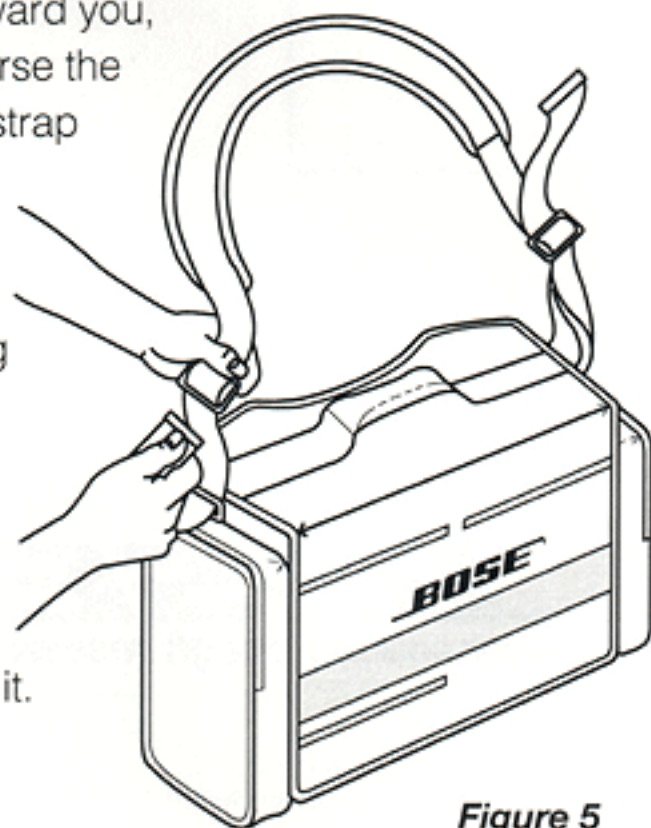


Figure 5

## Cleaning the power case

- Remove the AWMS unit from the Power Case. Next, remove the batteries from the battery pack. Release the battery pack by unscrewing the four feet at the bottom of the case (*Figure 6*) with a Phillips-head screwdriver. Remove the battery pack and zip the case closed.
- Machine wash in cold water and hang to dry. Do not use bleach or hot water, or tumble dry. Do not dry clean.
- Reposition the battery pack over the four holes and carefully refasten to the case. Be sure the screw is on the outside and the lock washer is on the inside.

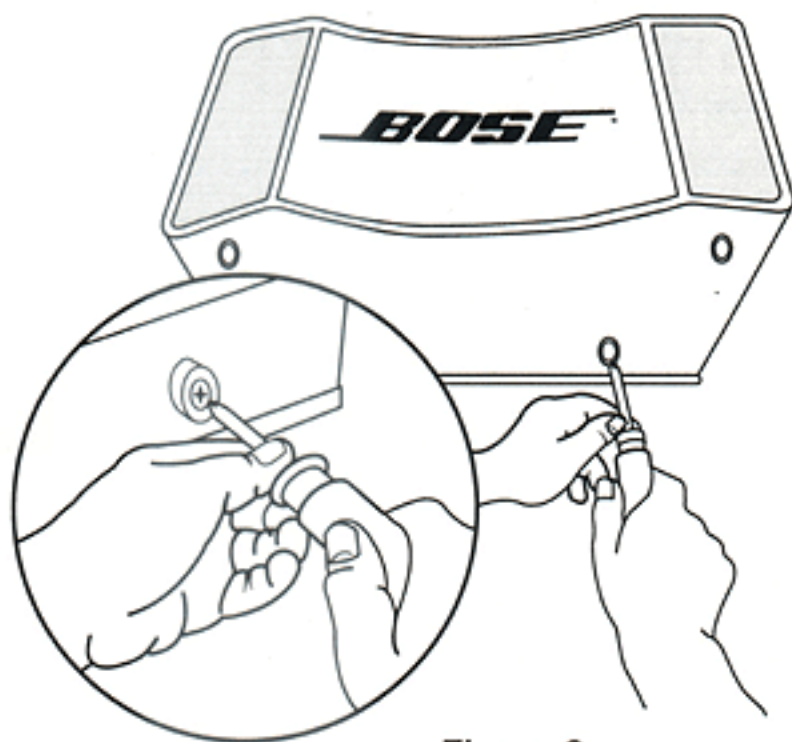


Figure 6

## Limited 90-day warranty

---

Bose® Corporation warrants this unit to be free from defects in materials and workmanship for a period of 90 days from the original date of purchase. During that period, Bose will remedy all such defects without charge for parts or labor, upon return of the unit together with a copy of your original sales receipt to Bose Corporation or your nearest Bose Authorized Service Center. This warranty does not extend to damages resulting from improper installation, misuse, neglect, or abuse, or to exterior appearance.

In no event shall Bose be liable for incidental or consequential damages.

This warranty gives you specific legal rights, and you may also have other rights which vary from state to state. Some states do not allow the exclusion or limitation of incidental or consequential damages, so the above limitation or exclusion may not apply to you.

Should this unit fail within the warranty period, contact your Bose representative for return authorization, or call 1-800-637-8781.

The foregoing warranty applies only to products sold within the United States of America, its territories and possessions, and to sales at overseas military post exchanges.

For more information on this and other Bose products, contact your Bose representative or call Bose Corporation at 1-800-282-BOSE, or in Massachusetts call (508) 879-7330.

**BOSE®**  
Better sound through research®