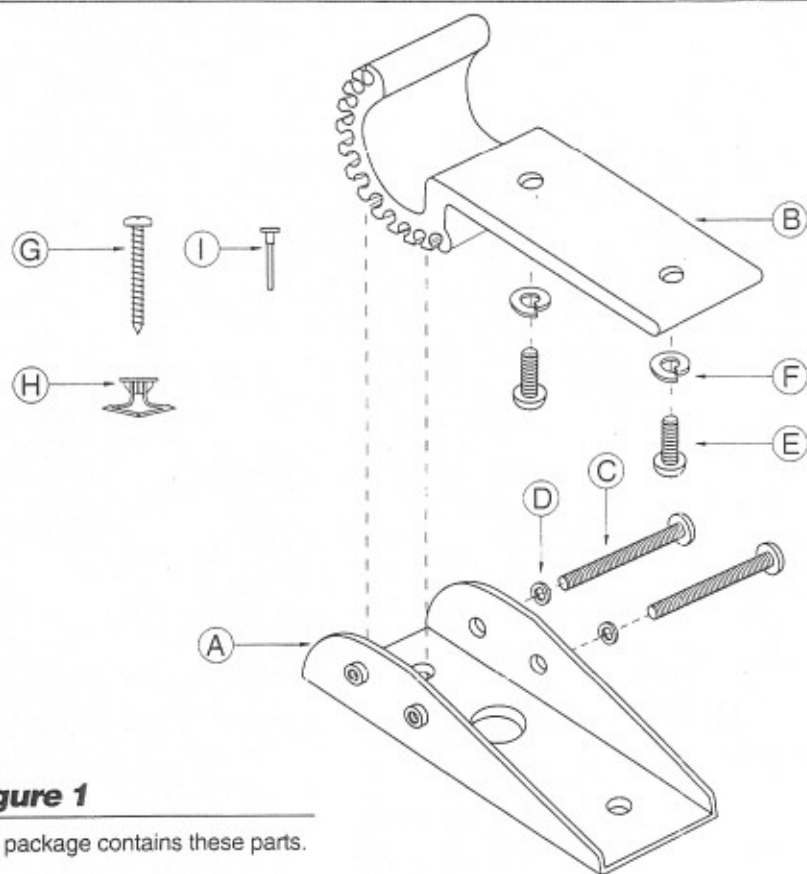
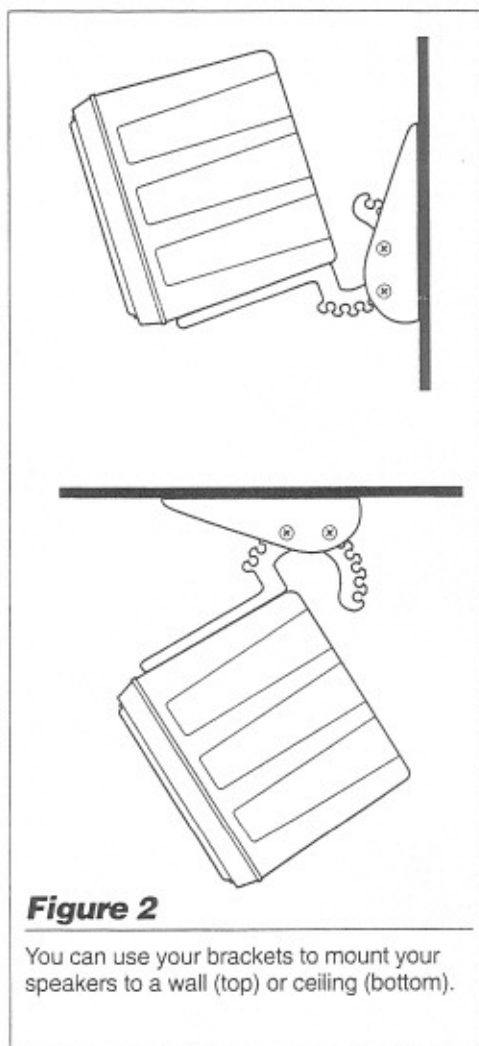


Thank you for purchasing the Bose® Model SM-1 outdoor surface-mount bracket kit for your 151™ environmental speakers. Assembly instructions vary according to the type of mounting surface, so please follow them carefully.

**Figure 1**

The package contains these parts.

**Figure 2**

You can use your brackets to mount your speakers to a wall (top) or ceiling (bottom).

## What's in the package (Figure 1)

- A. Two (2) baseplates
- B. Two (2) mounting arms
- C. Four (4) #10-32 x 2" pivot mounting screws
- D. Four (4) #10 pivot mounting lockwashers
- E. Four (4) 1/4-20 x 3/4" mounting arm screws
- F. Four (4) 1/4" mounting arm lockwashers
- G. Four (4) #12-14 x 1 1/2" tapping screws
- H. Four (4) plastic wall anchors
- I. One (1) fastener key

## Tools required

Pencil, Phillips head screwdriver, drill, hammer

## Before you begin

Choose a location for each speaker. For more details on placement, refer to the speaker owner's guide. See Figure 2 for wall and ceiling mounting suggestions.

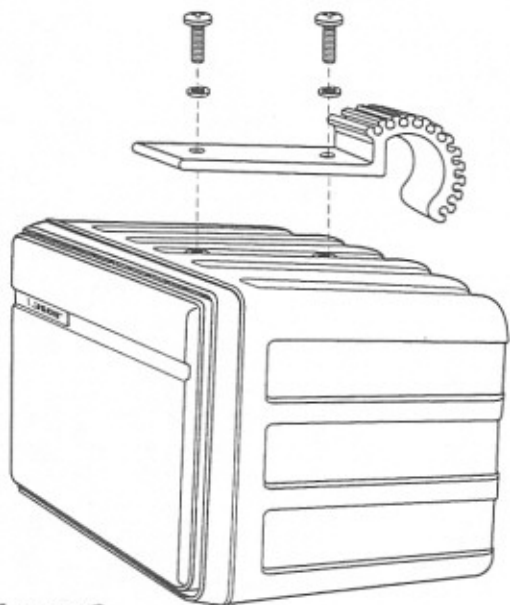
**CAUTION: FAILURE TO FOLLOW THESE INSTRUCTIONS VOIDS ALL WARRANTIES ON YOUR SPEAKERS.** If you are not familiar with construction methods and tools, hire a professional. Before you mount the bracket, make sure the surface is sturdy enough to support the speakers. Garden trellis walls and acoustic tile ceilings, for example, are not suitable. **BOSE CANNOT BE RESPONSIBLE FOR ANY BRACKET OR SPEAKER MOUNTED TO AN UNSUITABLE SURFACE.**

On boats, avoid mounting the speaker where it can be used as a step. Do not mount bracket to a thin surface: at least one

of the mounting screws should be driven into a structural support (i.e., wood reinforcement behind fiberglass). The bracket is not designed for use on boats that regularly experience high levels of mechanical shock and vibration, such as high-speed and high-power boats.

On boats, avoid mounting the speakers within 3' of the compass. The speaker magnets may affect it. A marine electronics installer can help correct any deviation. If unsure of safe and proper bracket placement, consult the boat manufacturer.

In any location, observe all safety precautions. Do not mount the bracket on surfaces with concealed hazards, such as electrical conduits or plumbing. Do not use the metal baseplate as a drill guide – personal injury could result. Use the baseplate only as a template to mark drill hole locations.



**Figure 3**

Attach a mounting arm to the bottom of each speaker.

## Attach mounting arms to speakers

1. Remove the two pivot mounting screws from each baseplate (Figure 1). Set the baseplates aside.
2. Use two mounting arm screws and lockwashers to attach each bracket mounting arm to the bottom of a speaker (Figure 3). Tighten the screws enough to flatten lockwashers.

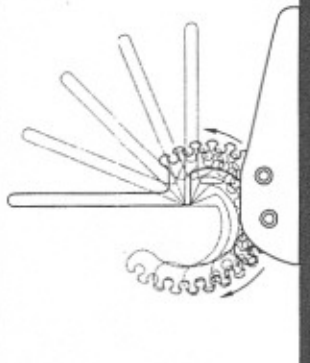
## Select an angle for each speaker

1. Working with one speaker at a time, slide the baseplate over the mounting arm without screwing it into place. The mounting arm can be rotated to angle the speakers (Figure 4).
2. Use both hands to carefully grip the speaker and baseplate. Hold them against the wall or ceiling where you will mount them. Experiment with the angle of the speaker until it faces the direction you want.

**Note:** Turn the speakers upside down if you are mounting them to a ceiling. You can also turn them upside down if you are mounting them high on a wall and want to hide the brackets from sight. Before you do, carefully insert a pointed object through an edge of each grille. Pry the grilles off, then replace them so the Bose logo faces in the right direction.

**Figure 4**

Slide the mounting arms back and forth in the baseplates to angle your speakers.



## Mount baseplates

1. Use each baseplate as a template to mark where you will drill the holes. Set the baseplates aside.
2. Follow the instructions in Figures 5, 6, or 7 for the type of construction where you will mount the bracket.

**CAUTION:** When mounting to hollow surfaces or masonry, be sure to use the plastic wall anchors provided with this kit.

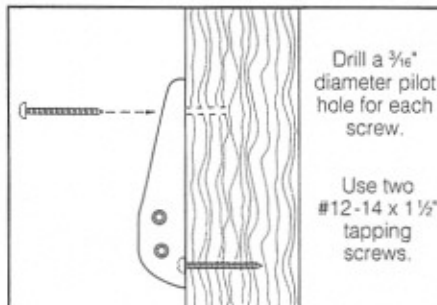
## Attach speakers

1. Make sure your speaker cords are long enough to reach your amplifier or receiver. You can use the speaker cord hole in the center of each baseplate to run the cords into the wall.
2. The end of each cord has two wires. Connect them both. For detailed instructions, consult the speaker owner's guide.
3. Attach the speakers by refastening the pivot mounting screws and lockwashers through the baseplates and mounting arms.

To contact Bose Service from within the USA, except in Massachusetts, call 1-800-367-4008. From inside Massachusetts, or outside the USA, call 1-508-366-9896.

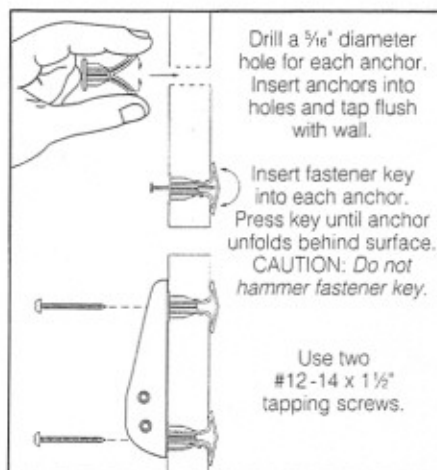
**BOSE**  
Better sound through research.

© 1993 Bose Corporation, The Mountain, Framingham, MA 01701-9168 USA JN94661 PN173577



**Figure 5**

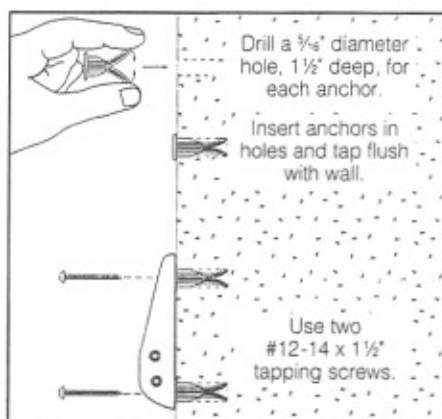
For solid wood surfaces (beam, stud inside wallboard, tree, etc.)



**Figure 6**

For wallboard (sheet rock, plaster board, paneling, or similar material)

**Note:** If possible, position the baseplate where you can insert at least one screw into a solid surface.



**Figure 7**

For masonry walls (plaster, cement, brick, or masonry)

**CAUTION: DO NOT MOUNT YOUR SPEAKERS TO MASONRY CEILINGS.** They may not be solid enough to support the weight of your speakers.