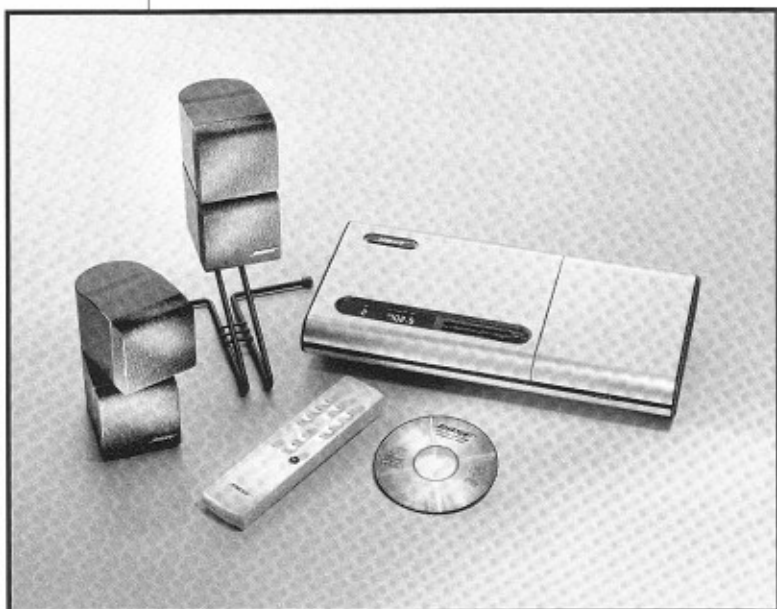

THE BOSE®

LIFESTYLE® 5

MUSIC SYSTEM



OWNER'S GUIDE

MANUAL PARA USUARIOS

NOTICE D'EMPLOI

BOSE®
Better sound through research.®

Safety Information

WARNING

To reduce the risk of fire or electric shock, do not expose this system to rain or moisture.

CAUTION

Do not remove the cover of your Lifestyle® music center or Acoustimass® powered speaker system. There are no user-serviceable parts inside. Refer servicing to authorized service personnel.

The CAUTION marks shown on this page are located on your Lifestyle® music system.



The lightning flash with arrowhead symbol, within an equilateral triangle, is intended to alert the user to the presence of uninsulated dangerous voltage within the system enclosure that may be of sufficient magnitude to constitute a risk of electric shock.

The exclamation point within an equilateral triangle, as marked on the system, is intended to alert the user to the presence of important operating and maintenance instructions in this owner's guide.

CAUTION: TO PREVENT ELECTRIC SHOCK, MATCH WIDE BLADE OF PLUG ON POWER PACK TO WIDE SLOT, FULLY INSERT.

ATTENTION: POUR ÉVITER LES CHOC ÉLECTRIQUES, INTRODUIRE LA LAME LA PLUS LARGE DE LA FICHE DANS LA BORNE CORRESPONDANTE DE LA PRISE ET POUSSER JUSQU'AU FOND.

Note: *This digital apparatus does not exceed the Class B limits for radio noise emissions from digital apparatus set out in the Radio Interference Regulations of the Canadian Department of Communications.*

Le présent appareil numérique n'émet pas de bruits radioélectriques dépassant les limites applicables aux appareils numériques de la classe B prescrites dans le Règlement sur le brouillage radioélectrique édicté par le Ministère des communications du Canada.

Class 1 laser product

This product contains a compact disc player that uses a low-power laser beam. When operated as described in this guide, the compact disc player poses no risk of exposure to the user.

CAUTION: *Use of controls for adjustments or performance of procedures other than those specified herein may result in hazardous radiation exposure. The compact disc player should not be adjusted or repaired by anyone except properly qualified service personnel.*

DANGER: *Invisible laser radiation when open and interlock failed or defeated. Avoid direct exposure to beam.*

**CLASS 1
LASER PRODUCT**

CAUTION

RISK OF ELECTRICAL SHOCK — DO NOT OPEN.

TO PREVENT ELECTRICAL SHOCK, DO NOT REMOVE COVER. NO USER-SERVICEABLE PARTS INSIDE. REFER SERVICING TO QUALIFIED PERSONNEL.

TO PREVENT FIRE OR SHOCK HAZARD, DO NOT EXPOSE THIS UNIT TO RAIN OR MOISTURE.

AVIS

RISQUE DE CHOC ÉLECTRIQUE — NE PAS OUVRIR.

AFIN DE PRÉVENIR UN CHOC ÉLECTRIQUE NE PAS ENLEVER LE COUVERCLE ARRIÈRE. IL NE SE TROUVE À L'INTÉRIEUR AUCUNE PIÈCE POUVANT ÊTRE RÉPARÉE PAR L'USAGER. S'ADRESSER À UN RÉPARATEUR COMPÉTENT.

Contents

Safety Information	2
Getting Started	4
Speaker connections	5
Connecting additional Bose® powered speakers	10
Connections for Lifestyle® powered speakers	10
Connections for the Bose Wave® radio	12
Connecting the Lifestyle® music center's antennas and power	13
Special radio settings for dual voltage models	15
Connecting other components	16
CD changer	16
Tape deck	16
TV, VCR, or Laserdisc player	17
Turntable	17
Headphones	17
Basic Operation	18
The music center display	18
The music center controls	18
The Lifestyle® remote control	19
Listening to the radio	20
Tuning	20
Listening to a CD	22
Using the system with a tape deck	22
Using the system with a CD changer	23
Using the system with a TV, VCR, or Laserdisc player	23

Advanced Features	24
Automatic shutoff	24
Changing house codes to prevent interference with other Lifestyle® music systems	24
Listening in two different rooms	25
Using the optional deluxe Lifestyle® RC-10 remote control	25
Using the deluxe remote control between listening areas	27
Programming the CD player	28
Maintaining Your Lifestyle® Music System	29
Cleaning your music system	29
Replacing the batteries for your remote control	29
In Case of Problems	30
Warranty	31
Technical Information	32
Index	33
Bose Corporation	inside back cover

English	2
Español	34
Français	66

Getting Started

Before you begin...

Thank you for purchasing a Bose® Lifestyle® music system. We are confident that its fine sound quality will provide you with considerable listening enjoyment.

Please take the time to read this owner's guide carefully. It will help you set up and operate your Lifestyle® music system properly. You'll also learn about the advanced features that are built into your system.

Your Lifestyle® music system consists of a Lifestyle® music center with AM/FM tuner and CD player, and Bose® powered speakers with built-in amplification.

With its built-in sound sources and provision for additional equipment such as a CD changer, tape deck, Laserdisc player, VCR, or TV, the Bose® Lifestyle® music system offers several ways to listen to superbly reproduced sound.

The simple-to-use remote control uses radio waves that let you operate your music system from anywhere in your house. One optional accessory is a deluxe remote control, described on page 25.

Unpacking your system

If you haven't unpacked the Lifestyle® music system, carefully do so now. Save all packing material for possible future use. If any parts appear damaged, do not attempt to use the music system. Instead, repack the carton and notify your authorized Bose® dealer immediately.

Your music center includes the following parts (see Figure 1):

- One (1) Lifestyle® music center
- One (1) FM dipole antenna
- One (1) AM loop antenna
- One (1) AC (mains) power pack
(Two power packs are supplied with dual voltage models only)
- One (1) remote control
- Three AA batteries
- One (1) wire cover

Your Bose® powered speaker system, its components and connections, are described on page 5.

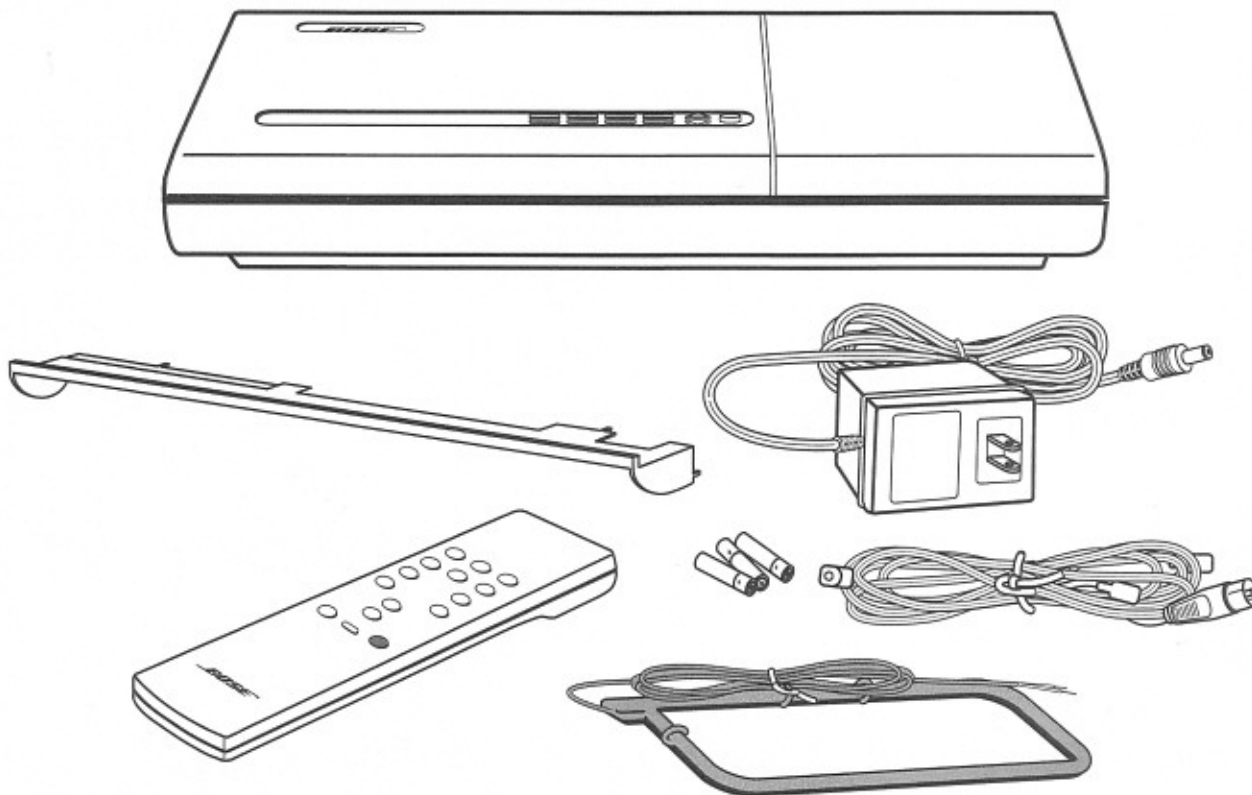


Figure 1

What your music center includes.

Lifestyle® music center placement considerations

Your Lifestyle® music center's flexibility and small size make it easy to place in a convenient location. If you prefer to control your music center using the console's keys rather than the remote control, put it in a location where you can reach it easily. You may place your music center on a table or shelf, in a bookcase or cabinet, or in a closet or another room. Choose a location where you will have easy access to the music center when you want to change a CD or press buttons on the console to save a favorite radio station. Make sure that the music center has adequate ventilation and is not exposed to moisture (see important safety instructions on page 2 for complete details).

Since the radio-frequency (RF) remote sends signals through walls and floors, you can control the music center from anywhere in your home.

Speaker connections

Your speaker system includes the following parts (see Figure 2):

- One (1) Acoustimass® bass module (larger unit)
- Two (2) cube speaker arrays (the small speakers with two cubes each)
- One (1) audio input cable
- Two (2) speaker cords

Carefully unpack all system components. Save the carton and packing material for future use. If any component appears damaged, do not attempt to use the speaker system. Instead, repack it in its original carton and notify your authorized Bose® dealer immediately.

Setting up the cube speakers

Place one cube speaker array on the left side of the room and the other on the right side. In average-sized rooms, you will hear the best stereo sound with the cube arrays 6 to 12 feet (approximately 2 to 4 m) apart. However, you can get excellent sound with the arrays as close as 3 feet (1 m) or as far apart as 15 feet (5 m). The speaker cords provided are long enough to extend 20 feet (6 m) from the bass module.

If you choose to use the cube arrays with a TV or video monitor, you may place the cube arrays beside the monitor. They will not affect the picture quality. See your Bose® dealer for details about the variety of available mounting accessories.

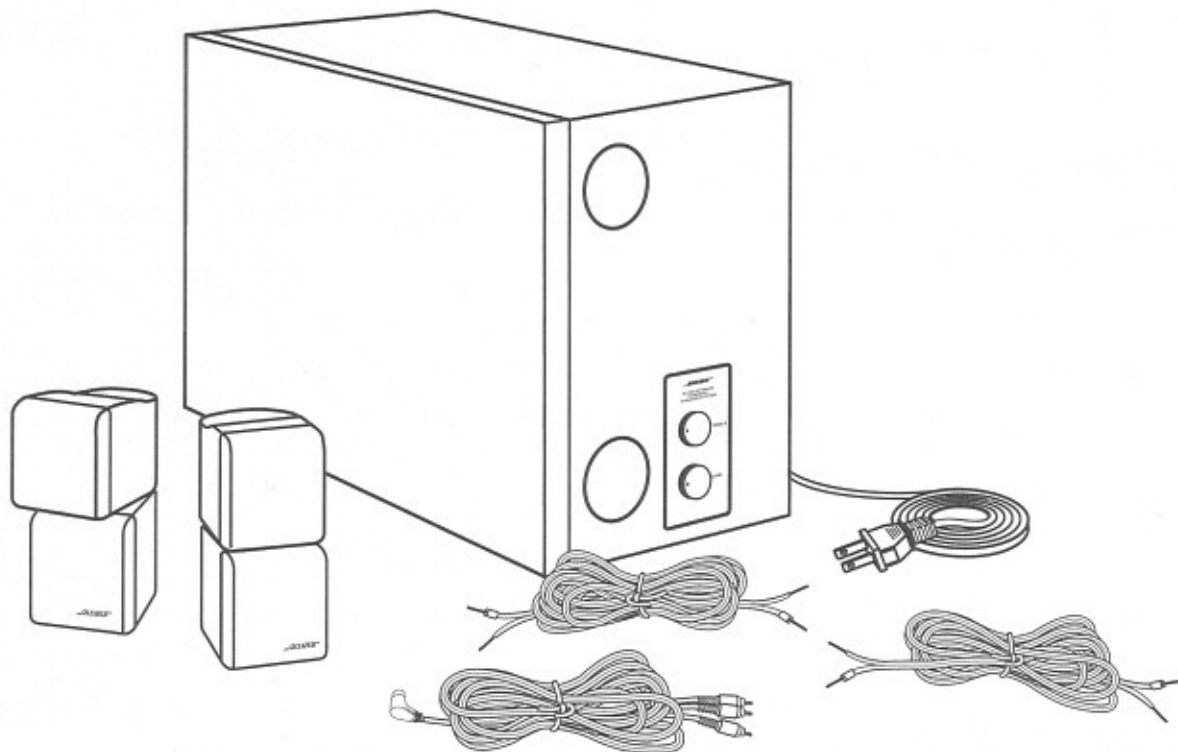


Figure 2

What your speaker system includes.

Setting up the Acoustimass® bass module

Figure 3 illustrates location options for the Acoustimass® bass module. With very few exceptions, you can place the module wherever it is most convenient – in a corner, under a table, or even behind a sofa. However, do not cover the two round openings on one end — leave at least 2 inches (5 cm) of space in front of them. Also, do not block the built-in amplifier mounted on the rear of the bass module (see Figure 4). The amplifier generates some heat (not dangerous to the touch) and needs open air to keep the heat from building up.

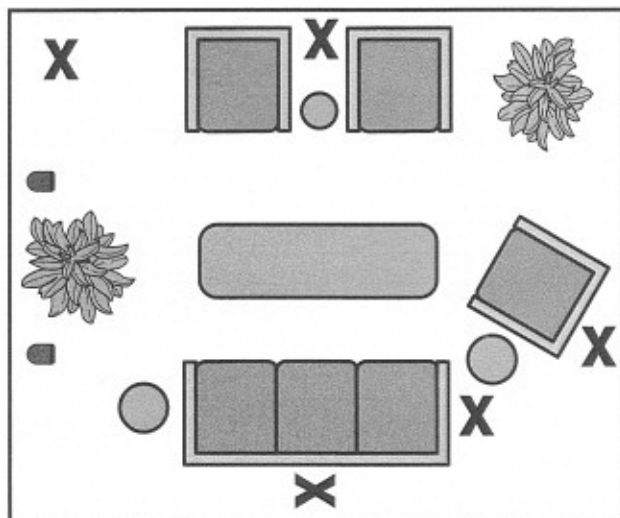


Figure 3

Some possible locations for the Acoustimass® bass module.

As a general rule, you should place the bass module at the same end of the room as the cube arrays. If you wish to locate the bass module at the opposite end of the room from the cube arrays, try to place it farther from the listener than the cube arrays will be.

The bass module ordinarily will produce the most bass when it is placed in the corner of a room. We recommend that you place the module along a wall, 3 to 5 feet (approximately 1 to 1.5 m) from a corner. This provides a normal balance of frequencies from your Lifestyle® 5 speaker system. For more bass, move the module closer to the walls or corners of the room. For less bass, move it away from the walls or corners. Room compensation controls will also help you vary the bass.

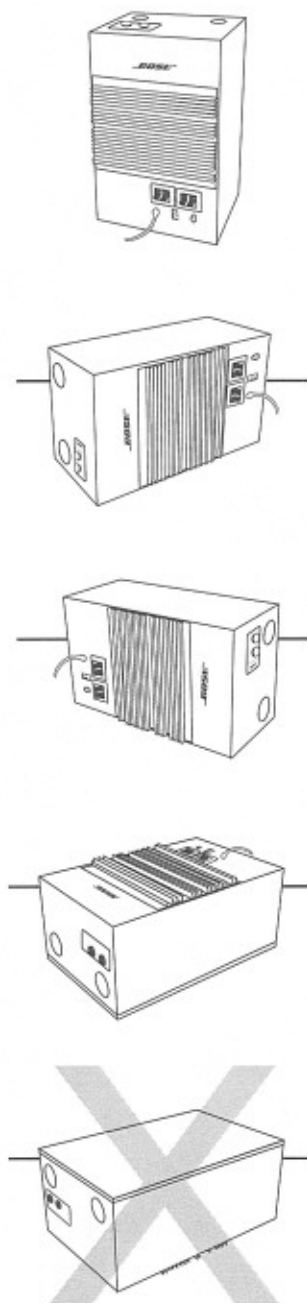


Figure 4

Bass module positioning choices.

For longer distances

If the cube speakers are more than 20 feet (6 m) from the bass module (the length of the supplied speaker cords), you will need an additional length of cord of similar gauge or thicker to hook up the speakers. If the bass module is more than 30 feet (9 m) from the music center, purchase a Bose® audio input extension cable (EC-11, Bose® part number 137455) from your authorized Bose® dealer.

Connecting the cube speaker arrays to the bass module

CAUTION: Make sure all components (Lifestyle® music center and the Acoustimass® bass module) are unplugged from the power outlet before you begin hooking up the system.

Note that each supplied speaker cable has two wires. The wire marked with a stripe or a red collar is always positive (+) and the plain one is always negative (-). These wires correspond to the positive (red) and negative (black) terminals on the back of each speaker and on the Acoustimass® bass module. Make sure to connect each wire to its corresponding terminal (positive to positive, negative to negative). If you need to lengthen the supplied speaker cord, splice in cord of similar or thicker gauge. Again, be sure to connect positive to positive and negative to negative.

1. Connect the end of one speaker cord to the terminals on the rear of the left cube speaker array. Connect the other end of the cord to the OUTPUT terminals on the rear of the Acoustimass® bass module marked TO LEFT CUBE ARRAY.

To make the connection, push each terminal tab down, then insert the end of the appropriate wire into the exposed hole. Release the tab to secure the wire (see Figure 5).

2. Repeat step one for the right cube array. Connect it to the OUTPUT terminal on the Acoustimass® bass module marked TO RIGHT CUBE ARRAY.
3. Check all connections to ensure they are positive to positive (+ to +) and negative to negative (- to -). Check that no strands of wire from any terminal touch any other terminal. Bridged wires create short circuits that may damage your speaker system.

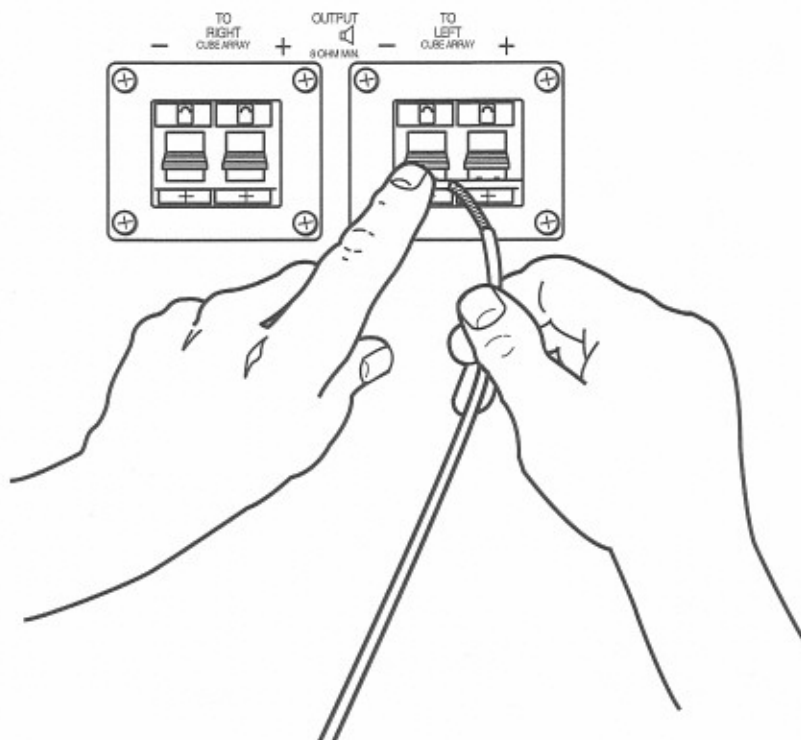


Figure 5

How to properly connect wires to a terminal.

Connecting the bass module to the Lifestyle® music center

(See Figure 6)

1. Insert the three connectors at one end of the audio input cable into the jacks on the rear panel of the music center as follows:
 - Black connector plug into the SYSTEM CONTROL jack
 - Red connector plug into the R (right) SPEAKERS A OUTPUT jack
 - White connector plug into the L (left) SPEAKERS A OUTPUT jack
2. Insert the single DIN connector on the other end of the audio input cable into the AUDIO INPUT jack on the Acoustimass® bass module. Align the five pins on that connector with the five holes on the jack.

See Figure 6 for an illustration of a completed speaker system hookup.

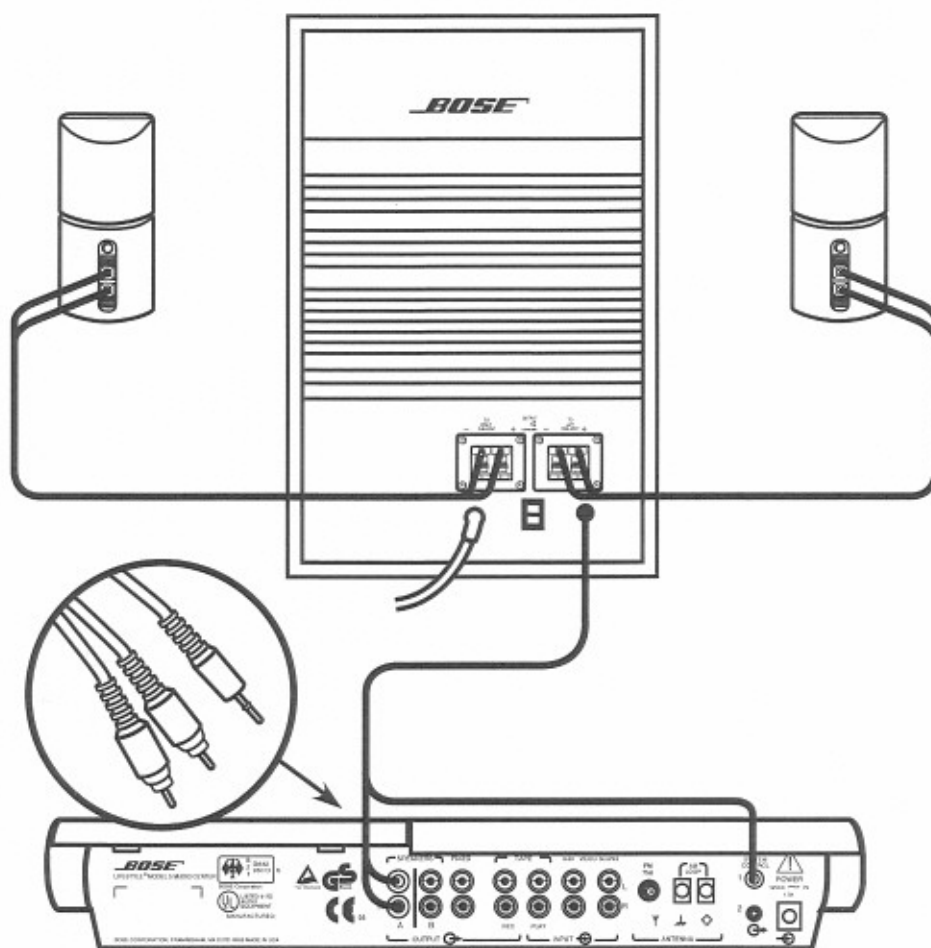


Figure 6

Finished speaker system hookup.

Connecting the power (mains) cord

1. Make sure the voltage selection switch on the back of the Acoustimass® bass module is set for the appropriate voltage for your area (see Figure 7).



Figure 7

Setting the voltage selector switch.

IMPORTANT: Make sure to set the voltage selector switch correctly. Use 120V for North and Central America, and 220-240V for Europe, UK, and Australia. If you are in doubt, contact your local electric utility for the appropriate voltage setting.

2. Plug in the bass module's power (mains) cord. On models equipped with a POWER switch, turn this switch ON (I).

Getting the best sound

After you have listened to your Lifestyle® music system, you may wish to adjust the sound to your taste. There are two ways to do this: use the room compensation controls located on the Acoustimass® bass module (see Figure 8) or change the position of the system components.

Room compensation controls

The two room compensation controls on the bass module allow you to adjust the treble (high frequencies) and bass (low frequencies). Small dots near each control knob mark the normal settings. Rotate the controls clockwise to increase, and counterclockwise to decrease, the amount of treble or bass.

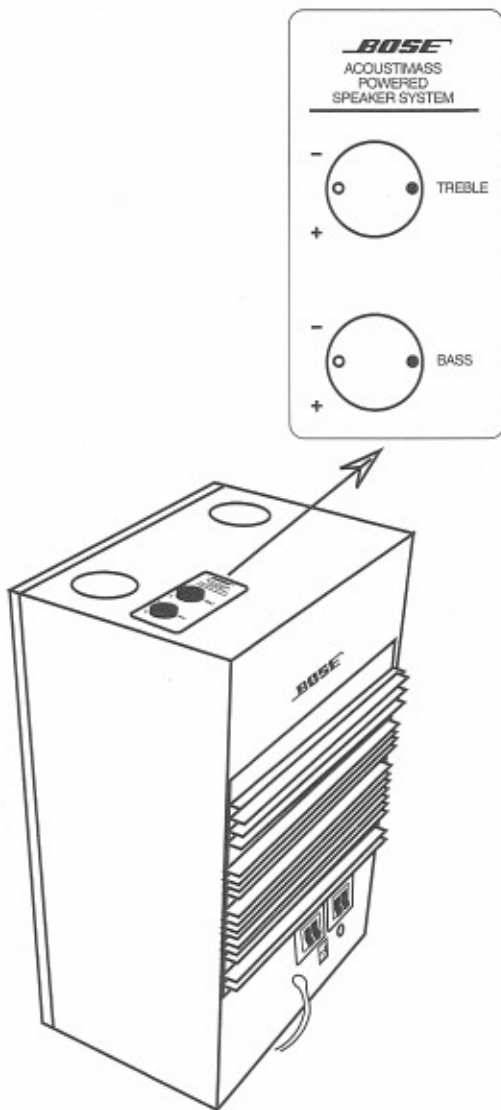


Figure 8

Room compensation controls.

Adjusting the combination of reflected and direct sound

The cube speaker arrays are adjustable. Each cube swivels to provide a combination of reflected and direct sound. You can angle one cube in each array toward a wall for reflected sound and leave the other cube facing directly into the room for direct sound (see Figure 9).

Experiment with positioning the cube speaker arrays to find the sound that best suits you. The most lifelike sound will consist of a balance of reflected and direct sound.

For very small listening areas, you may want to face both cube arrays forward, although this position eliminates the benefits of combining reflected and direct sound. For video applications, angle the top half of each array slightly inward to improve on-screen localization. The cube arrays are magnetically shielded and will not affect TV picture quality.

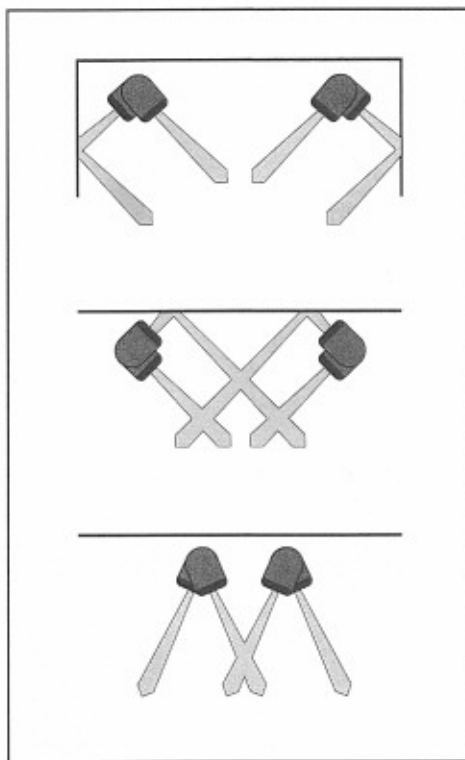


Figure 9

Adjusting the combination of reflected and direct sound.
(Cube arrays not to scale.)

Connecting additional Bose® powered speakers

You may add a second Bose® powered speaker system to your Lifestyle® music system. To connect an additional speaker system to your Lifestyle® music center, follow the instructions in the previous section, but connect your second speaker system to the music center's SPEAKERS B OUTPUT jacks. For operating instructions, see "Listening in two different rooms," page 25.

Connections for Bose® Lifestyle® powered speakers

For complete information on these speakers, consult the Lifestyle® powered speakers owner's guide.

The speaker carton contains:

- One (1) LEFT (powered) speaker with attached power cord and audio input cable
- One (1) RIGHT (accessory) speaker with speaker terminals on the back
- One (1) speaker cord with two (2) conductors
- One (1) 50-foot (15 m) extension cable.

Setting up the speakers

Place the LEFT and RIGHT speakers as labeled on the left and right sides of your room, respectively. If you wish to use the speakers with a TV or video monitor, you can place the speakers beside the monitor. They will not affect the picture quality. See your Bose® dealer for details about a variety of mounting accessories.

Connecting the speakers to each other

(See Figure 10)

Note that the supplied speaker cord has two wires. The wire marked with a stripe or a red collar is always positive (+), and the plain one is always negative (-). These correspond to the positive (red) and negative (black) terminals on the backs of the speakers. Always connect each wire to its corresponding terminal (positive to positive, negative to negative). To lengthen the supplied speaker cord, splice in cord of similar or thicker gauge. Again, be sure to connect positive to positive and negative to negative.

1. Connect the positive and negative wires on one end of the speaker cord to the corresponding positive and negative terminals on the LEFT speaker. To make the connection, push each terminal tab down, then insert the end of the appropriate wire into the hole. Release the tab to secure the wire. Connect the wires on the other end of the cord to the RIGHT speaker.
2. Check the connections to be sure they are positive to positive (+ to +) and negative to negative (- to -). Make sure that no strands of wire from any terminal touch any other terminal. Bridged wires create short circuits that may damage your Lifestyle® powered speaker system.

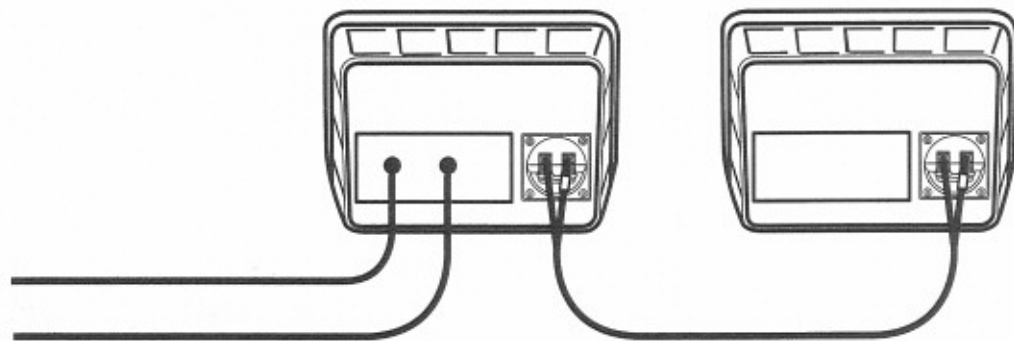


Figure 10

Connecting the speakers to each other.

Connecting the speakers to the music center

(See Figure 11)

1. Insert the red and black plugs from the L (left) speaker's audio input cable into the corresponding red and black jacks on one end of the 50-foot (15 m) extension cable.
2. Insert the red plug at the other end of the extension cable into the R (right) SPEAKERS B OUTPUT jack on the back of the Lifestyle® music center. Insert the black plug into the SPEAKERS B OUTPUT jack for the L (left) channel.

Finishing the speaker setup

1. Turn the volume control on the left speaker counterclockwise to its lowest position.
2. On dual voltage models, set the voltage selector switch on the back of the left speaker for the correct voltage.
3. Plug the power (mains) cord from the left speaker into a convenient power (mains) outlet.
4. On models equipped with a power switch, turn the switch to the ON position.
5. Set the volume control to the two o'clock position.

Your Lifestyle® powered speakers are now ready to play.

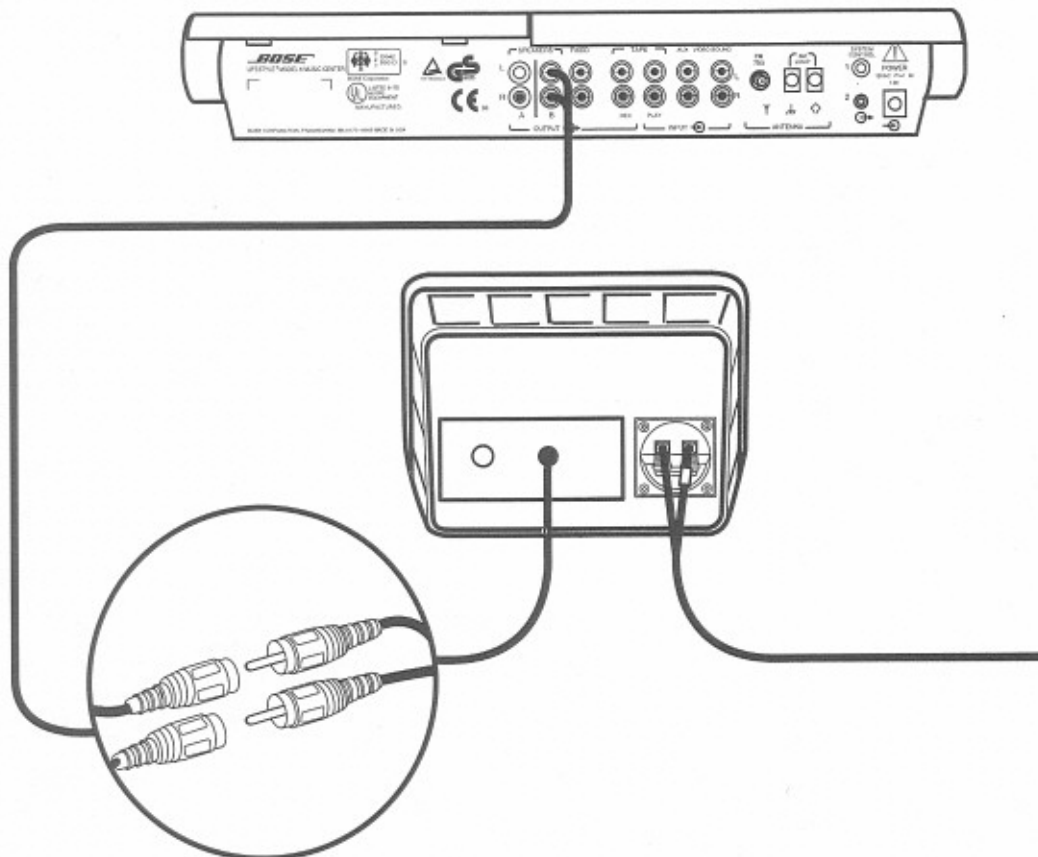


Figure 11

Connecting the speakers to the music center.

Connections for the Bose® Wave® radio

Note: Make sure you set up your Bose Wave® radio according to the Bose Wave® radio owner's guide.

Connecting the radio to your Lifestyle® music center

You will need a cable to connect your Bose Wave® radio to your Lifestyle® music center (see Figure 12). See your retail dealer for a 25- to 100-foot stereo cable with male-to-male RCA plugs, or contact Bose Corporation directly (see "Customer Service," page 30).

Audio cables have color-coded connectors: the red plug is for R (right), the black or white plug is for L (left). The colors help you connect right outputs to right inputs, and left to left.

1. Insert the audio cable's red plug into your Lifestyle® music center's R (right) FIXED OUTPUT jack. Insert the black or white plug into the L (left) FIXED OUTPUT jack.
2. At the other end of the same cable, insert the red plug into the Bose Wave® radio's right AUX INPUT jack. Insert the black or white plug into its left AUX INPUT jack.

Figure 12 shows a finished hookup.

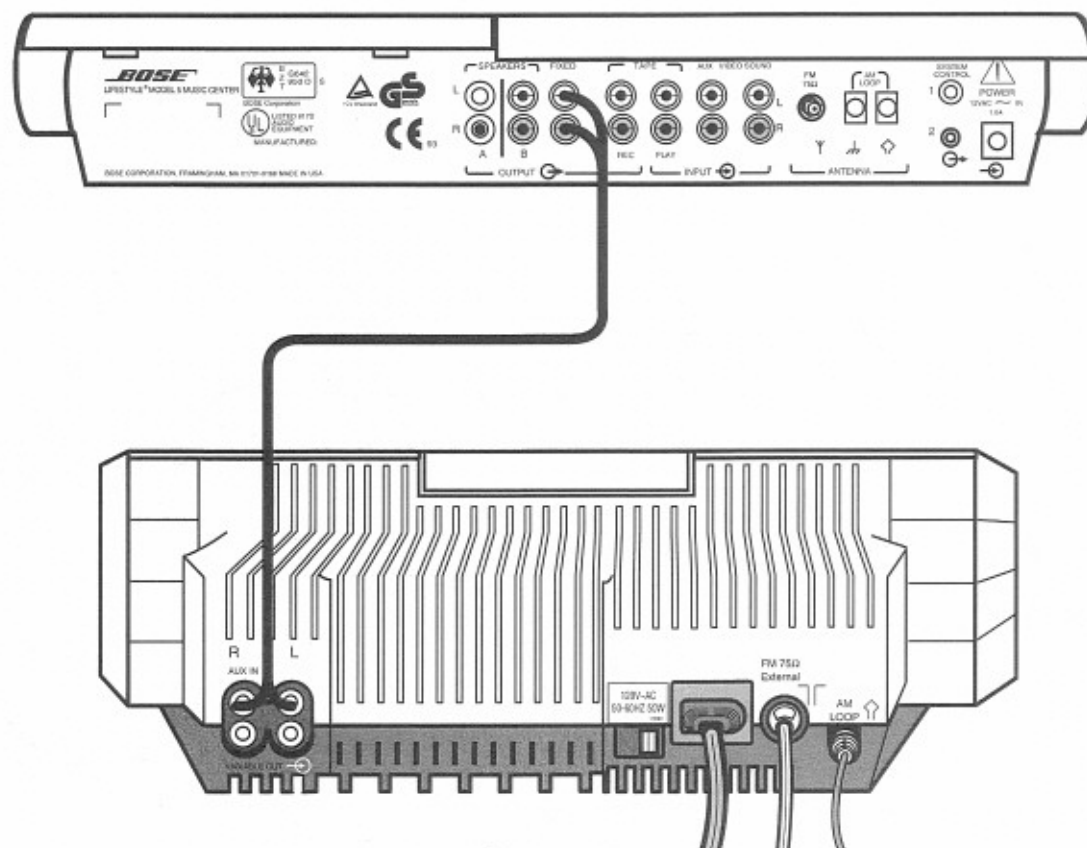


Figure 12

Finished hookup with a Lifestyle® music system.

Connecting the Lifestyle® music center's antennas and power

The rear panel of your Lifestyle® music center provides connectors for antennas and AC (mains) power (see Figure 13).

Place the music center on a table or other convenient work surface. Locate the FM and AM antennas and the AC (mains) power pack (see Figures 14-16).

FM antenna connections

1. Unwind the FM antenna. Antennas provide better reception when their wires are not bundled.
2. Plug the antenna's connector into the FM ANTENNA jack on the back of the Lifestyle® music center.
3. Spread out the FM antenna's arms. Experiment with both the placement and the angle of this antenna to provide optimum FM reception.



Figure 14

The FM dipole antenna.

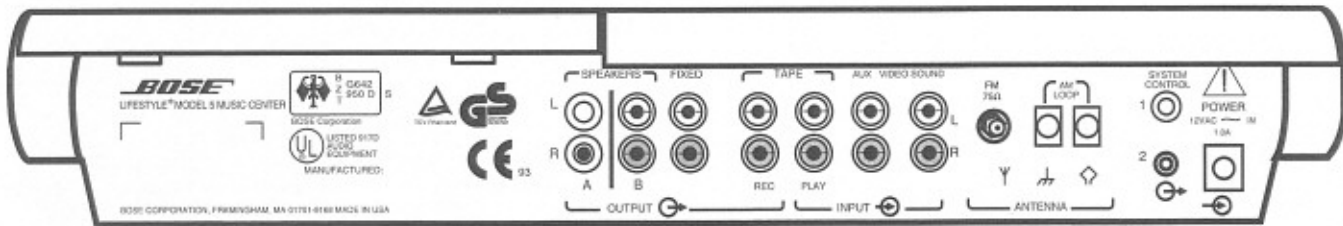


Figure 13

Your Lifestyle® music center's rear panel.

AM antenna connections

1. Unwind the wire connected to the AM loop antenna. Antennas provide better reception when their wires are not bundled.
2. Loosen the AM ANTENNA screw terminals on the back of the Lifestyle® music center.
3. Match the wire colors to the terminal colors (black to black, white to white). Tighten the screws over the connectors at the end of the antenna wire.
4. Move the loop part of the antenna at least 18 inches (45 cm) from the music center. Experiment with the angle of the loop for optimum AM reception.
5. When you find a convenient location and orientation for the loop, use the supplied clip and peel-and-stick tape to mount the antenna on a smooth, clean surface.

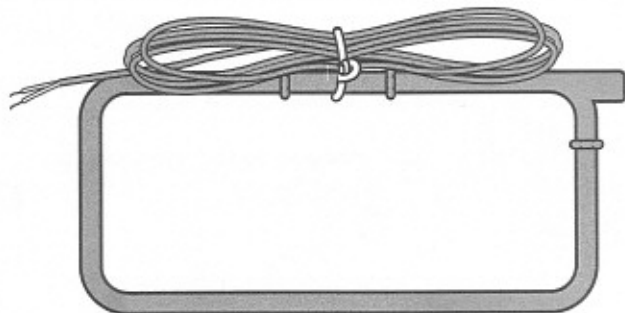


Figure 15

The AM loop antenna.

Connecting the AC (mains) power pack

The Lifestyle® music center comes with a 120V AC (mains) power pack for use in the USA and Canada. Dual voltage models include both 120V and 220V power packs. For other international use, the music center is supplied with either a 220V or 240V power pack.

Use only the Bose® Power Pack model specified for your area:

- Model PS51, 120V in North America.
- Model PS52, 220V in Europe.
- Model PS54, 240V in UK
- Model PS55, 240V in Australia.

CAUTION: Be sure to use the correct power pack for your area. Using the wrong one may damage your power pack or your music center. If you are in doubt, contact your local electric utility to determine your local voltage.

1. Plug the small connector on the end of the AC (mains) power pack's cable into the POWER jack on the back of the Lifestyle® music center. Make sure the plug is firmly inserted in the jack.
2. Plug the power pack into a convenient AC (mains) outlet.

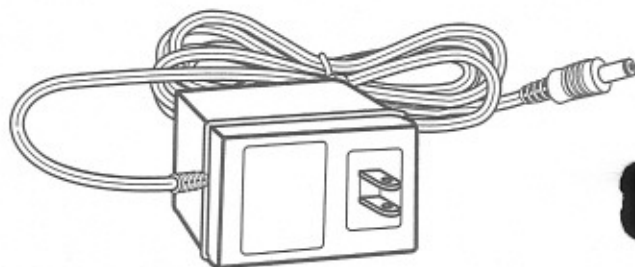


Figure 16

The AC (mains) power pack.

Note: To hide the wires and jacks from view, after all the connections are completed, attach the wire cover to the music center. The five tabs on the wire cover snap into matching slots on the music center back panel.

Inserting batteries into the remote control

Before operating your new Lifestyle® system, insert batteries into the remote control. When the remote begins to lose its operating range or stops operating altogether, replace its batteries. With normal use, you will need to change batteries every year or two (see Figure 17).

1. To remove the battery cover, slide it in the direction of the arrow.

Note: If you are replacing expired batteries, remove them from the battery compartment and dispose of them properly. Be sure to insert only AA or IEC R6P 1.5V batteries.

2. Insert a new set of batteries into the battery compartment. Align the + symbols on the batteries with the + symbols inside the battery compartment.
3. Slide the battery cover back on. Make sure it clicks into place.

Note: If you have more than one remote control, make sure all house code switch settings are the same. Be sure to follow the instructions on page 24.

Your Lifestyle® music system is now ready for operation. If you have a dual voltage model, see the next section for additional instructions.

Special radio settings for dual voltage models

Music centers are packaged with both 120V and 230V power packs for international use. They can accommodate two types of AM and FM channel spacing.

The channel spacing in North America is 10 kHz for AM and 200 kHz for FM. The channel spacing for Europe is 9 kHz for AM and 50 kHz for FM.

To change AM and FM channel spacing

1. Press OFF to turn off the music system.
2. Press and release the console's ERASE key under the CD cover.

The display indicates US for North American spacing and EU for European spacing.

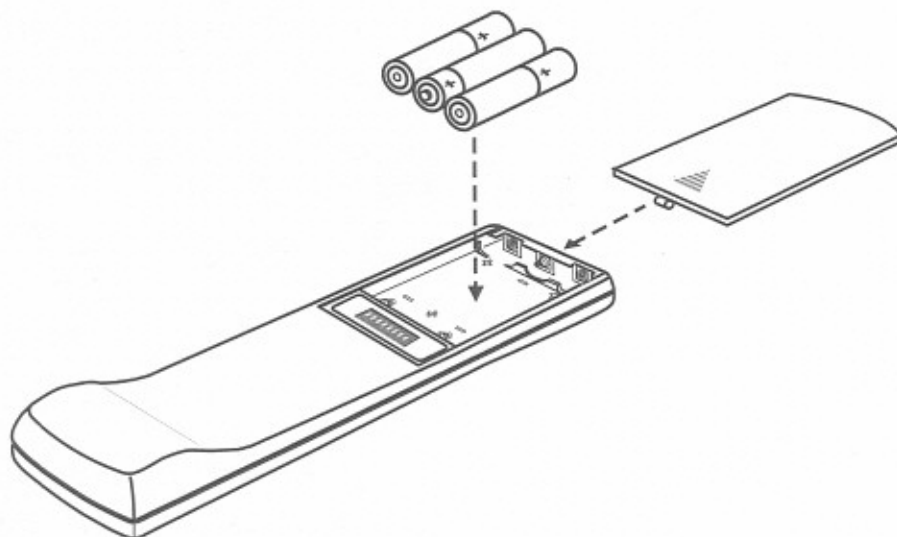


Figure 17

Inserting the batteries in the remote control.

Connecting other components

You can connect up to three external components, such as a CD changer, a tape deck, and a TV, VCR, or Laserdisc player to your Lifestyle® music center (see Figure 18).

Many manufacturers supply one or two cables with their components. These cables are color-coded: the red plug is for R (right), the black or white plug is for L (left). The colors help you connect right outputs to right inputs, and left to left.

Connecting a CD changer

Note: If you need more detailed connection information, refer to the owner's manual that came with your CD changer.

1. Insert the red plug at one end of the connector cable into the right AUDIO OUTPUT of the CD player or tape deck. Insert the black or white plug into the left AUDIO OUTPUT. If there are two sets of outputs — FIXED and VARIABLE — use the FIXED outputs.
2. Insert the red plug at the other end of the same cable into the Lifestyle® music center's R (right) AUX INPUT. Insert the black or white plug into the L (left) AUX INPUT.

Connecting a tape deck

Note: If you need more detailed connection information, refer to the owner's manual that came with your tape deck.

1. Insert the red plug at one end of the connector cable into the tape deck's R (right) PLAY OUTPUT. Insert the black or white plug into the L (left) PLAY OUTPUT.
2. Insert the red plug at the other end of the same cable into the Lifestyle® music center's right TAPE PLAY INPUT. Insert the black or white plug into the left TAPE PLAY INPUT.
3. Insert the red plug at one end of the other cable into the tape deck's right REC INPUT. Insert the black or white plug into the left REC INPUT.
4. Insert the red plug at the other end of the same cable into the Lifestyle® music center's R (right) TAPE REC OUTPUT. Insert the black or white plug into the L (left) TAPE REC OUTPUT.

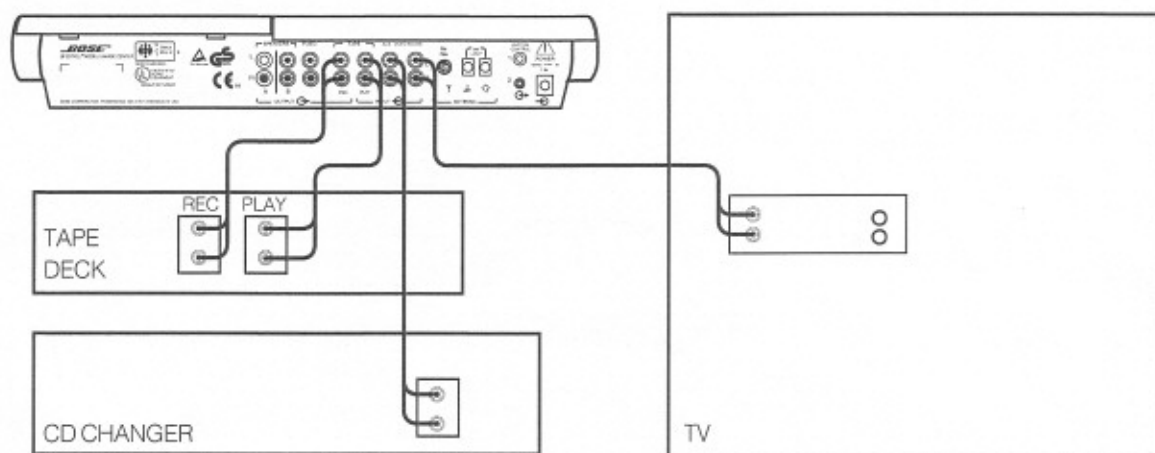


Figure 18

Finished hookup with a CD changer, tape deck, and TV.

Connecting a TV, VCR, or Laserdisc player

Note: If you need more detailed connection information, refer to the owner's manual that came with your TV, VCR, or Laserdisc player.

1. Insert the red plug at one end of the connector cable into the right AUDIO OUTPUT of your TV, VCR, Laserdisc, or other video-sound source. Insert the black or white plug into the left AUDIO OUTPUT.

Note: If your video-sound source does not have stereo outputs, you will need a Y connector to convert its single audio-output jack to two jacks that will supply the left and right VIDEO SOUND INPUTS. Contact your Bose® dealer for assistance.

Your TV may have two sets of outputs – FIXED and VARIABLE. Use the FIXED outputs to allow the volume control on your TV to adjust the volume of your TV independently from the volume of your Lifestyle® music system. Use the VARIABLE outputs to allow the volume control on your TV to simultaneously adjust the volume of your TV and your music system.

2. Insert the red plug at the other end of the same cable into the R (right) VIDEO SOUND INPUT of your Lifestyle® music center. Insert the black or white plug into the L (left) VIDEO SOUND INPUT.

Connecting a turntable

To use a turntable, you will need an external phono preamplifier. Consult your Bose® dealer to determine the appropriate preamplifier model.

Connect the turntable to the preamplifier (preamp) as directed in the instructions for the preamp. Then connect the preamp's OUTPUT to the music center's unused AUX or VIDEO SOUND inputs.

Connecting headphones

There is a stereo mini-headphone jack on the left end of the music center. The jack will accept most popular headphone models directly. If you need an adapter, contact your dealer.

When headphones are connected, SPEAKERS A OUTPUT is disconnected. Volume adjustments apply to the SPEAKERS B listening area, if speakers are turned on (see "Listening in two different rooms," page 25).

Basic Operation

This section describes the most-used functions and features of your Lifestyle® music system. For a discussion of other functions, see "Advanced Features," beginning on page 24.

The music center display

(See Figure 19)

1. CD track and AM/FM preset number display.
2. Source indicators.
3. CD elapsed time and AM/FM station frequency display.
4. Play indicator.
5. Pause indicator.
6. Disc repeat/track repeat indicator.
7. No disc indicator.

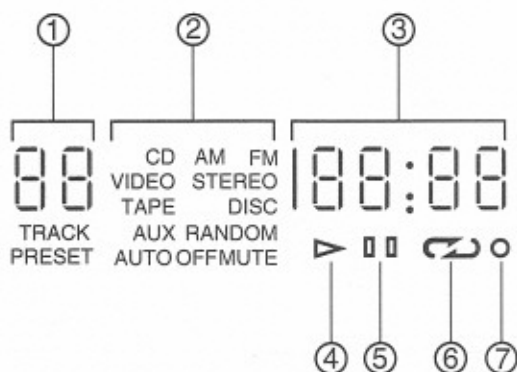


Figure 19

The display.

The music center controls

(See Figure 20)

AM/FM - Selects the built-in radio and turns the system on if it is off. When radio is on, switches between AM and FM.

TAPE - Selects an externally connected tape deck and turns the system on if it is off.

AUX - Selects an externally connected CD changer or other component and turns the system on if it is off.

VIDEO - Selects an externally connected video-sound source and turns the system on if it is off.

CD - Selects the built-in CD player and turns the system on if it is off.

▶/|| PLAY/PAUSE - Begins or pauses play of the currently selected music source. When held down for two seconds, stops play of a CD.

◀▶ SKIP - Select the previous or next CD track. Select the previous or next preset radio station.

To play CD tracks in random order, press these keys simultaneously.

VOLUME ▼ / ▲ - Raise or lower the volume.

OFF - Turns the system off.

MANUAL TUNING ▼ ▲ - Manually tune the radio.

PRESET STORE/ERASE - Add and remove radio station presets.

CD cover latch - Opens the CD cover for loading or removing a CD.

Note: Any symbols visible on your music center display, but not discussed here, are not for current use.

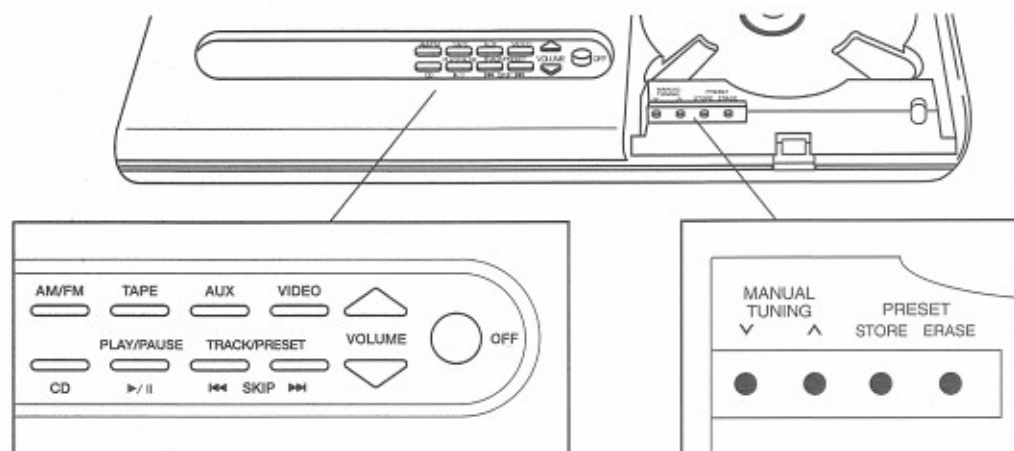


Figure 20

The console.

The Lifestyle® remote control

(See Figure 21)

Your music system's advanced radio-frequency remote control works from anywhere in your home. Its radio wave signals pass through walls and floors to reach the music center.

The remote control's keys operate like the keys on the music center's console.

To operate the remote control, simply press the desired key. You don't need to aim the remote at the music center.

AUX - Selects an externally connected CD changer or other component and turns the system on if it is off.

VIDEO - Selects an externally connected TV or VCR and turns the system on if it is off.

TAPE - Selects an externally connected tape deck and turns the system on if it is off.

AM/FM - Selects the built-in radio and turns the system on if it is off. When radio is on, switches between AM and FM.

CD - Selects the built-in CD player and turns the system on if it is off.

▶/|| (play/pause) - Begins or pauses play of the currently selected music source. When held down for two seconds, stops play of a CD.

◀◀▶▶ SKIP - Select the previous or next CD track. Select the previous or next preset radio station.

◀◀▶▶ SEEK - Search backward or forward through a CD. Seek the previous or next strong AM or FM station.

VOLUME ▼ / ▲ - Raise or lower the volume.

AUTO OFF - Initiates a 15-minute countdown before the system shuts off. Each additional key press increases the time until shutoff by 15 minutes, to a maximum of 75 minutes.

MUTE - Silences your speakers. Also restores volume to muted speakers.

OFF - Turns the system off.

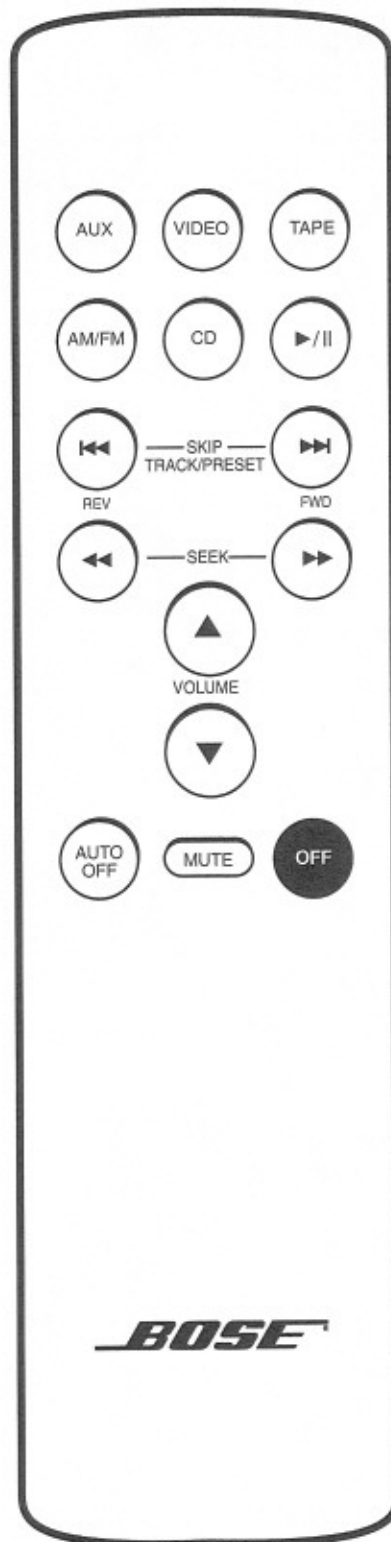


Figure 21

The Lifestyle® remote control.

Listening to the radio

Turning the system on and choosing the radio

- Press the remote's AM/FM key to turn your music system on to the most recently heard AM or FM station.
- Or press the console's AM/FM key. This key selects the radio.

Note: *If the system is on and the radio is already selected, this key switches between the AM and FM bands.*

Turning the system off

Press the OFF key on the remote or on the console.

To turn off your music system automatically after a certain period of time, see "Automatic Shutoff" under "Advanced Features," page 24.

Adjusting the volume

Use the ▲ (volume up) or ▼ (volume down) keys to raise or lower the volume.

Tuning

Seeking the strongest stations

- Press the remote's ►► (seek forward) or ◀◀ (seek reverse) key to seek and stop at the next strong signal. If you hold these keys down, the radio continues to seek without stopping at any station.
- To stop seeking in one direction, press the key for the other direction.

Switching between AM and FM

Press the AM/FM key to switch to the other band.

Manual tuning

If you want to tune the radio to a distant or weak station that the radio cannot seek, use the MANUAL TUNING keys provided for this purpose. The MANUAL TUNING keys are located under the CD cover. See "Setting a station preset," page 21.

1. Open the CD cover.
2. Press the ▼ (down) or ▲ (up) key to move to a lower or higher station frequency, as desired.
3. Close the CD cover by pushing it down until the latch clicks.

Selecting a preset station

Once you set one or more station presets (see next page), press the ►► (skip forward) or ◀◀ (skip reverse) key to select the next or the previous preset station.

Setting a station preset

Your Lifestyle® music center can store up to 20 AM and FM stations.

1. Open the CD cover.
2. Select a radio station you wish to store as a preset, either by tuning manually or by using the ◀◀ (seek reverse) or ▶▶ (seek forward) keys.
3. Press the STORE key. The display will begin to flash the number of the next available preset location.
4. Press the STORE key again to store the displayed station in the displayed preset location. The display will stop flashing, and the new preset number will be displayed.

If you decide not to store the displayed station in the displayed preset location, you may:

- Choose a different preset number for this station. Press the ▶▶ (skip forward) or ◀◀ (skip reverse) keys. Press the STORE key to finish storing the preset.
- Cancel the preset-storing process. Press the ERASE key. The display will stop flashing and will no longer display the preset number.

Note: You cannot store a station in an already-occupied preset location without erasing that preset station first (see "Erasing a preset station," next section). If you attempt to store more than 20 stations, the preset display will flash '—'.

5. Close the CD cover.

Erasing a preset station

1. Open the CD cover.
2. Use the ▶▶ (skip forward) or ◀◀ (skip reverse) keys to select the preset station you wish to erase.
3. Press the ERASE key. The display will rapidly flash the preset number to indicate that you are about to erase that preset station.
4. Press the ERASE key again to erase the displayed station from the displayed preset location. The display will stop flashing, and the preset number will not be lit.

If you decide not to erase this station, press the STORE key to cancel the preset-erasing process. The display will stop flashing and display the preset number.
5. Close the CD cover.

Listening to a CD

Loading a CD into the music center

Press the latch on the CD cover, and place a CD onto the spindle. Close the CD cover.

Turning the system on and choosing the CD player

Press the CD key on the remote or the CD key on the console. If the music system is already on, pressing one of these keys will select the CD player.

The display's CD indicator will light up.

If a CD has been loaded, it will begin to play.

Adjusting the volume

Use the ▲ (volume up) or ▼ (volume down) keys to raise or lower the volume.

Using the music center's CD player

The following operations apply to keys on both the remote control and the music center, except where noted:

- To play a stopped or paused CD, press ►/ II (play/pause).
- To pause a CD, press ►/ II (play/pause).
- To stop a CD, hold the ►/ II (play/pause) key for two seconds, or open the CD cover.
- To skip tracks, press ►► (skip forward) to go to the next track or ◀◀ (skip reverse) to go to the beginning of the current or previous track.
- To move through a track, press ►► (seek forward) to move forward or ◀◀ (seek reverse) to move back. This requires using the remote control.
- To play tracks in random order, press the music center's ►► (skip forward) and ◀◀ (skip reverse) keys simultaneously. To continue playing the tracks in their regular order, press these keys again.

Using the system with a tape deck

Follow the instructions for connecting a tape deck before proceeding. To begin, make sure the tape deck is turned on and a tape is loaded.

Turning the system on and choosing the tape deck

Press the TAPE key on either the remote or the console to turn your music system on and select the tape deck. If the music system is already on, this key selects the tape deck.

The display's TAPE indicator will light up when the system is on and the tape deck is selected.

Adjusting the volume

Use the ▲ (volume up) or ▼ (volume down) key to raise or lower the volume.

Using the connected tape deck

Turn on your tape deck directly or by using its remote control.

Note: *The Lifestyle® music system cannot turn a connected tape deck on or off.*

Using the system with a CD changer

Follow the instructions for connecting a CD changer to the music center's AUX inputs before proceeding.

Turning the system on and choosing the CD changer

Press the AUX key on the remote or the console to turn your music system on and select the CD changer. If the music system is already on, this key selects the CD changer.

The AUX indicator on the display will light up when the system is on and the CD changer is selected.

Adjusting the volume

Use the ▲ (volume up) or ▼ (volume down) key to raise or lower the volume.

Using the CD changer

Turn on your CD changer.

Note: *The Lifestyle® music system cannot turn a connected CD changer on or off.*

Using the system with a TV, VCR, or Laserdisc player

Connect the component to the VIDEO SOUND inputs on the Lifestyle® music center. See page 17 for instructions.

Turning the system on and choosing the video-sound source

Press the VIDEO key on the remote or the console to turn your music system on and select the TV, VCR, or Laserdisc. If the music system is already on, this key selects the video-sound source.

The VIDEO indicator on the display will light up when the system is on and the video-sound source is selected.

Adjusting the volume

Use the ▲ (volume up) or ▼ (volume down) key to raise or lower the volume.

Using the connected TV, VCR, or Laserdisc

Turn your TV, VCR, or Laserdisc on directly or by using its remote control.

Note: *The Lifestyle® music system cannot turn a connected video-sound source on or off.*

Advanced Features

Please familiarize yourself with the "Basic Operation" section before exploring these more advanced features.

Automatic shutoff

Use the AUTO OFF key to shut off your music system automatically.

- To set your music system to automatically turn off in 15 minutes, press the AUTO OFF key while your music system is playing. The display's AUTO OFF indicator will light up.
- To increase the time until shutoff by 15 minutes, press the AUTO OFF key again, up to four times (75 minutes).
- To cancel automatic shutoff, press and hold down the AUTO OFF key until you eliminate all time until shutoff.

Changing house codes to prevent interference with other Lifestyle® music systems

Your Lifestyle® remote control's commands will probably not conflict with those of another nearby Lifestyle® music system. If they do, set a new house code for your system and its remote control(s) by following the procedures below.

Note: Be sure the music center is turned off.

1. Open the remote control's battery cover.
2. Locate the miniature switches (see Figure 22). Change the position of switches 2, 3, or 4 by moving them in the opposite direction.

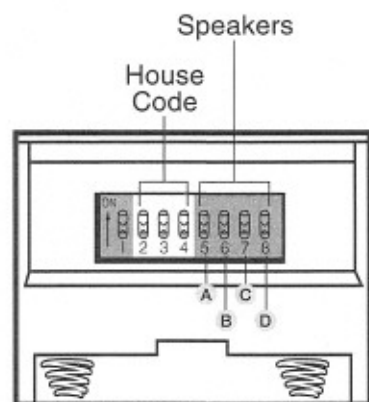
Note: Do not change any other switches at this time.

3. Replace the battery cover on the remote control.
4. Press the OFF key on the console.
5. Open the CD cover.
6. Press the STORE key. The display will begin to blink '— —'.
7. Press any key on the remote control.

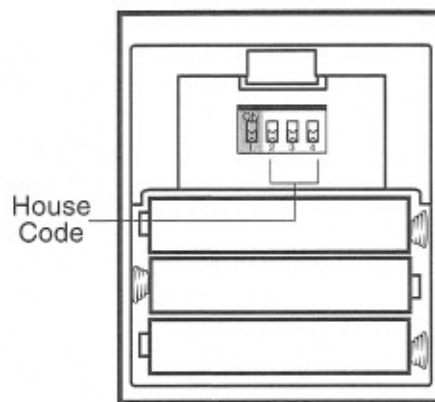
Note: Press the key within two seconds, while the display is blinking.

The display stops blinking and momentarily shows '— —' to confirm recognition of the house code. The system will remain off.

8. If you have additional remote controls, open the battery cover of each one and change the house code switches to match those of the first remote control. It is not necessary to repeat steps 4–7.



RC-5 Remote Control



RC-10 Deluxe Remote Control

Figure 22

The remote controls' miniature house code switches.

Listening in two different rooms

Hookup considerations

There are two sets of audio outputs – SPEAKERS A and B – on the rear panel of your music center. You may wish to connect powered speakers for your primary listening area to the A outputs and reserve the B outputs for a secondary listening area. Follow the connection instructions beginning on page 8.

Using the standard Lifestyle® remote control

You may use the standard remote control in either the primary or secondary listening area. Set the speaker switches in the remote control's battery compartment (see Figure 17 on page 15) correspondingly to control either SPEAKERS A or B, as explained below:

1. Open the remote control's battery cover.
2. Refer to Figure 23 to locate miniature switches 5 and 6. Set the switches as indicated.
3. Replace the remote control's battery cover.

Note: If you expect to use speakers in both listening areas, you may want to purchase an additional remote control.

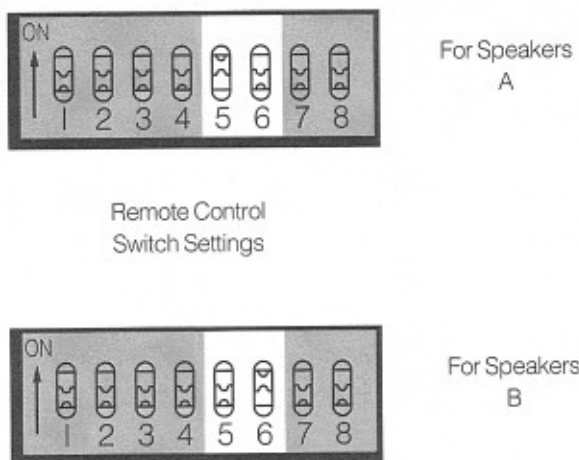


Figure 23

Setting the remote control for SPEAKERS A or B.

Using the optional deluxe Lifestyle® RC-10 remote control

Before using the deluxe remote control, match its house code switch settings to those of your other Lifestyle® remote control(s) (see page 24). Then:

- Check to be sure batteries are installed. Refer to Figure 24.
- Set the ZONE switch to 2. Set the SPEAKERS switch on A (for your primary listening room) or B (for your secondary listening room). Refer to Figure 25 on page 26.

Installing batteries in the deluxe remote control

(See Figure 24)

1. Slide the remote control's battery cover off to expose the battery compartment.

Note: If you are replacing old batteries, lift them out and dispose of them properly. Use three AA or IEC R6P batteries, or the equivalent.

2. Insert the new batteries. Align their + symbols with the + symbols in the battery compartment.

3. Slide the battery cover on until it clicks into place.

Note: Replace the remote control's batteries when it stops operating or its operating range seems reduced. With normal use, this occurs every year or two.

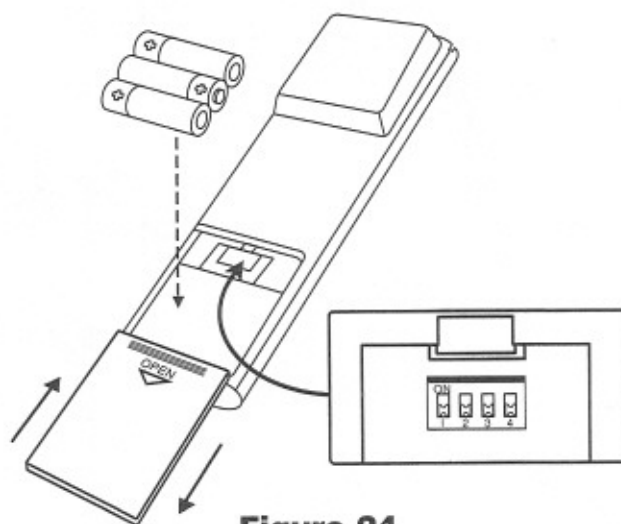


Figure 24

Inserting the deluxe remote control's batteries.

Operating the deluxe remote control

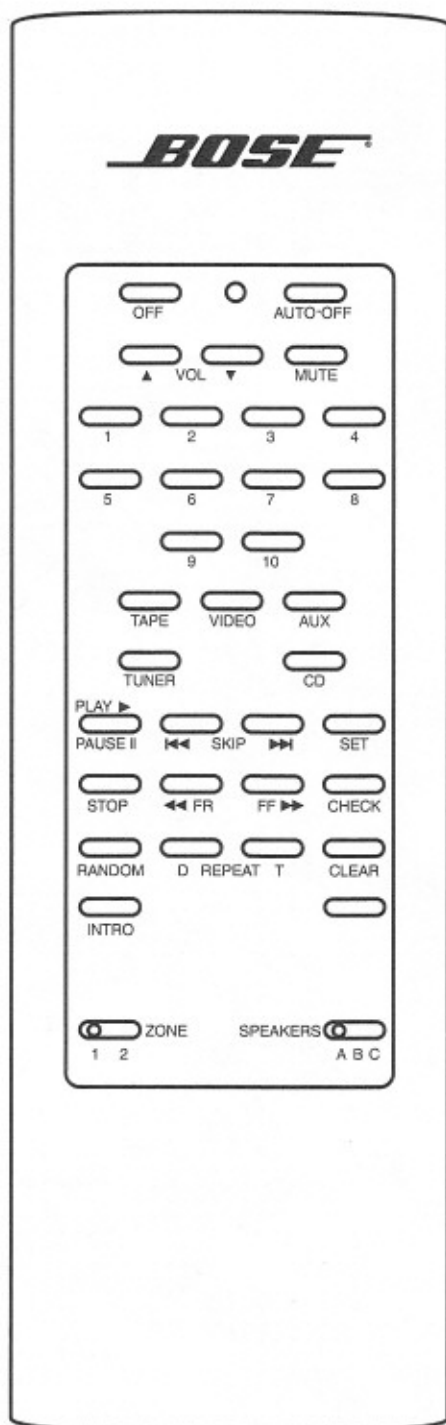


Figure 25

The Lifestyle® deluxe remote control.

The Lifestyle® deluxe remote control functions like the standard remote, with a number of additional features, as listed below:

OFF - Turns the system off.

LED - Lights up to show that a remote control key has been pressed.

Note: If the remote control works but the LED does not light up, replace the batteries.

AUTO OFF - Initiates a 15-minute countdown before the system shuts off. Each additional key press increases shutoff time by 15 minutes, to a maximum of 75 minutes.

VOL ▽ / ▲ - Raise or lower the volume.

1-10 (number keys) - Provide direct access to preset radio stations and CD tracks.

TAPE - Selects an externally connected tape deck and turns the system on if it is off.

VIDEO - Selects an externally connected TV, VCR, or Laserdisc and turns the system on if it is off.

AUX - Selects an externally connected CD changer or other component and turns the system on if it is off.

TUNER - Selects the built-in radio and turns the system on if it is off. If the radio is on, switches between AM and FM.

CD - Selects the built-in CD player and turns the system on if it is off.

PLAY ► / **PAUSE II** - Begins or pauses play of the currently selected music source. When held down for two seconds, stops play of a CD.

STOP - Stops play of a CD.

RANDOM - Plays CD tracks in random order. Press this key again to play CD tracks in regular order.

INTRO - Plays the first 10 seconds of each CD track. Press this key again to play complete CD tracks.

⏮ / ⏭ SKIP - Select the previous or next CD track. Selects the previous or next radio preset.

⏮ FR / ⏭ FF (search/seek) - Search back or forward through a CD. Seeks the previous or next strong AM or FM station.

D (disc) / T (track) REPEAT - Replay the disc or track that has just played. Press this key again to cancel the repeat mode.

SET (programming key) - Selects the current CD track for a programmed play sequence.

CHECK (programming key) - Press this key repeatedly to display the programmed play sequence one track at a time.

CLEAR (programming key) - Use this key with the CHECK key to clear the displayed CD track from the programmed play sequence.

Blank key - Not for current use.

ZONE 1 - 2 switch - Set to ZONE 2 to play either SPEAKERS A or SPEAKERS B. To play SPEAKERS A only, set to ZONE 1.

SPEAKERS A-B-C switch - Set to SPEAKERS A or B. Determines which speaker the remote control will turn on or mute. The C position is not for current use.

Using the deluxe remote control between listening areas

The deluxe remote control works in both the primary and secondary listening areas. Its SPEAKERS switch is located on the lower right (see Figure 25). Set this switch to control either SPEAKERS A or B. The C position is not for current use.

Note: For two-room operation, set the deluxe remote control's ZONE switch to 2.

If you move your deluxe remote control from one listening area to another, change the SPEAKER switch to that area – B or A. You may find it more convenient to assign one remote control to each listening area.

Operating considerations

When you press the VOL ▲ or ▼ key, the volume settings of both SPEAKERS A and B change together. Although SPEAKERS A and B operate from the same music source, you can also mute these speakers independently.

- To use the system in the A listening area, set the remote control to SPEAKERS A, or use the music center controls.
- To use the system in the B listening area, use a remote control set for SPEAKERS B.

Note: Music center controls will not turn on speakers in the B area.

- To raise or lower the volume, press the music center's or the remote's VOL ▲ or ▼ key.

Note: When playing speakers in both listening areas, press the VOL ▲ or ▼ key to change the volume settings in both areas.

- To silence the speakers in one listening area only, press the MUTE key on the remote set for that listening area.
- To turn off the entire system, press the music center's or the remote's OFF key.
- To select a different source, press the key for that source on the music center or the remote control.

Programming the CD player

Use the deluxe remote control to program the music center's CD player to play tracks in any order you choose. You can program up to 20 CD tracks in a sequence.

To program a track sequence

There are two ways to program a track sequence: before you begin playing a disc or while the disc is playing.

Note: If you select a nonexistent track (for example: track 11 on a disc with only 10 tracks), the track registers on the display but it is not programmed into the sequence.

To program tracks before playing a CD

1. Load a CD. Turn the music system on with the CD key. Press STOP.
2. Press SET to begin programming.

Note: If you change your mind at any point during the programming sequence, press OFF, and begin again.

3. Press the number key(s) to enter the first track number in the sequence.

The music system displays this track number.

4. While the track number is displayed, press SET to store this first selection.

The display shows the track number and its number in the sequence.

Example: Press SET - 3 - SET. The display reads 'Track-3 P-01' to indicate that track 3 is the first track in the sequence.

5. Repeat Steps 3-4 to program up to 20 total tracks, in sequence.

Example: To program a sequence of tracks 3, 1, 7, and 10, press SET - 3 - SET - 1 - SET - 7 - SET - 1 - 0 - SET.

Note: You may program the same track into a sequence more than once.

To program while the CD plays

1. Load a CD. Use the CD key to turn the music system on. Press STOP.
2. Press INTRO to hear the first 10 seconds of each track on the disc in normal sequence.
3. When you hear a track you wish to program, press SET. You may press ► at any time to skip to the next track, or wait until the end of the 10-second period.
4. Repeat step 3 to program up to 20 tracks.

To complete the programming sequence, press STOP at any time, or wait for the disc to stop.

Note: Once you program the sequence for a CD, the CD tracks will play in that sequence until you clear them, open the CD cover, or turn off the music system.

To play a programmed sequence

After you program a sequence of tracks, press the PLAY ► / PAUSE II key.

The loaded CD will begin with the first track in your programmed sequence and will stop when the last programmed track ends.

To cancel programmed play and revert to normal play

Press and hold CLEAR until all programmed tracks have been cleared.

The next time you press PLAY ► / PAUSE II, the music system will play the normal sequence of tracks.

To check your program

Press CHECK to display the program number and its first programmed selection. To view the next programmed selection, press CHECK again.

You may also check a programmed sequence while the disc is playing.

Example: Press CHECK to see the program entered in the last example. The display shows 'Track-3 P-01.' Press CHECK again. The display shows 'Track-1 P-02,' and so on.

To cancel one track within a program

Press CHECK one or more times to call up the unwanted track on the display. Then press CLEAR while the unwanted track is displayed.

Repeat this procedure to delete more than one track from a program.

Maintaining Your Lifestyle[®] Music System

Cleaning your music system

Use only a damp cloth to clean the outside of the music center, remote control(s), bass module, and cube speakers. You may also use a vacuum with a soft-bristled attachment to clean the cube speakers' grilles. Do not use any solvents or chemicals. Do not allow liquids to spill into any openings on the music center or bass module.

Replacing the batteries for your remote control

You should replace the batteries for your remote control when it stops operating or its operating range seems reduced. This normally occurs every year or two. See Figure 26.

Note: Use three AA or IEC R6P batteries, or the equivalent. These are available from most retail dealers and electronics stores, as well as supermarkets and hardware stores. If you have difficulty finding replacement batteries, contact Bose Corporation directly (see "Customer service," page 30).

1. Slide the cover in the direction of the arrow to expose the battery compartment.
2. Lift out the old batteries, and dispose of them properly.
3. Insert the new batteries. Be sure to align the batteries' + symbols with those in the battery compartment.
4. Slide the battery cover back on. Make sure it clicks into place.

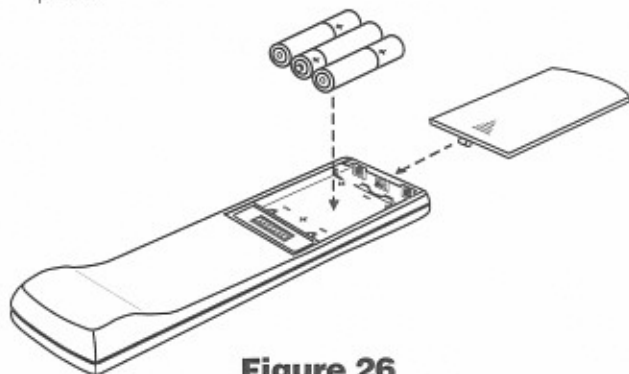


Figure 26

Changing the remote control's batteries.

Troubleshooting

Problem

What to do

System does not function at all

- Make sure the power pack is plugged securely into the music center, and the power pack and bass module power cord are plugged into operating AC wall outlets. (Green LED on left front edge is lit when unit is plugged in.)
- Be sure to select a source (CD, tuner, etc.).
- Unplug the power pack for a minute, then reconnect the music center. This allows the unit to reset itself after a power surge or power interruption causes a shutdown.

No sound

- Check the speaker connections and the bass module power switch.
- Be sure the CD is placed correctly in the music center, and the lid is closed.
- Increase the volume.
- Disconnect any headphones.
- Check the connections for any external components. Make sure to select the correct source for the desired input.
- Connect the FM and AM antennas.
- Make sure the remote control switches are set for the correct speakers. See "Advanced Features," page 24.

No sound from second set of speakers

- Make sure the remote control switch is set to speakers B. See "Advanced Features" on page 24 for instructions.
- On a deluxe remote control, make sure the speakers switch is set to B and the zone switch is set for zone 2.

Unit turns on and off by itself, or acts erratically

- Change the house code setting to prevent conflicting signals with another nearby Lifestyle® music system. See "Advanced Features" on page 24 for instructions on setting the house code.

Remote control is inconsistent or does not work

- Check batteries and their polarity (+ and -).
- Make sure the speaker cord is uncoiled, and extended as much as possible.
- Use the remote control closer to the music center.
- Make sure the speakers A or B setting in the remote control switches matches the speaker connections.
- Make sure the remote control house code matches the music center code. Follow steps 4-7 on page 24 to match the house code settings.

CD does not play

- Make sure the music center lid is closed.
- Check to see if the play symbol ► in the display is lit.
- Check to see if there is a disc in the player, label side up.
- There may be dirt or dust on the laser pickup or on the CD. Clean the CD. Do not touch the laser pickup.

Tuner does not work

- Make sure antennas are connected properly.
- Adjust antenna position to improve reception.
- You may be in an area of weak signal coverage.

FM sound is distorted

- Adjust antenna position to reduce interference.

Sound is distorted

- Make sure speaker cable is not damaged and the connections are secure.
- Reduce the output volume from any external components connected to the music center.

No tape, CD, VCR, or TV sound

- Check the connections.
- Refer to the component owner's manual.

Customer service

For additional help in solving problems, contact Bose® customer service. See the inside back cover for Bose customer service offices and phone numbers.

Limited Warranty Bose® Product

What is covered:

All parts defective in material or workmanship.

For how long:

One year from the purchase date.

What we will do:

We will, at our sole option, repair or replace any defective parts, free of charge.

What we will not do:

Pay shipping or transportation charges from you to us.

What you must do:

- (1) Return product personally with proof of purchase from an authorized Bose® dealer to your authorized Bose® dealer, or
- (2) Return product personally with proof of purchase from an authorized Bose® dealer to the nearest Bose® Service Agency, or
- (3) Return product personally with proof of purchase from an authorized Bose® dealer directly to the Bose® organization in your country. If you elect to return the product directly to a Bose® organization,
 - (a) Contact the Bose® organization in your country for specific return and shipping instructions;
 - (b) Properly pack the product in the original carton for shipping. If you need a new carton, contact the Bose® organization in your country for a new carton available at a nominal charge;
 - (c) Label and ship, freight prepaid, to the address provided by the Bose® organization in your country, and
 - (d) Place any necessary return authorization number prominently on the outside of the carton (cartons not bearing a return authorization number, where required, will be refused).

Other conditions:

This warranty is fully transferable provided the current owner furnishes the original proof of purchase from an authorized Bose® dealer. THE PROVISIONS OF THIS WARRANTY ARE IN LIEU OF ANY OTHER WARRANTY, WHETHER EXPRESS OR IMPLIED, WRITTEN OR ORAL, INCLUDING ANY WARRANTY OF MERCHANTABILITY OR FITNESS FOR A PARTICULAR PURPOSE. BOSE'S MAXIMUM LIABILITY SHALL NOT EXCEED THE ACTUAL PURCHASE PRICE PAID BY YOU FOR THE PRODUCT. IN NO EVENT SHALL BOSE BE LIABLE FOR SPECIAL, INCIDENTAL, CONSEQUENTIAL, OR INDIRECT DAMAGES. This warranty does not cover a defect that has resulted from improper or unreasonable use or maintenance, accident, improper packing, or unauthorized tampering, alteration, or modification as determined solely by us. This warranty is void if the label bearing the serial number has been removed or defaced.

Other Law Rights:

This warranty gives you specific legal rights, and you may also have other rights which vary from state to state or country to country. Some places do not allow limitations on implied warranties or the exclusion or limitation of incidental or consequential damages, so the above limitations or exclusions may not apply to you.

Technical Information

Music center power pack power rating

USA/Canada: 120V; 60 Hz; 20VA

Europe (except UK): 230V; 50 Hz; 20VA

UK/Australia: 240V; 50 Hz; 20VA

Dual Voltage: 120V-60 Hz/230V-50 Hz; 20VA

Speaker system power rating

USA/Canada: 120V; 60 Hz; 350 Watts

Europe: 220V; 50 Hz; 350 Watts

UK/Australia: 240V; 50 Hz; 350 Watts

Dual Voltage: 120/230V, 50/60 Hz; 350 Watts

Music center inputs

TAPE: 3V maximum

AUX, VIDEO-SOUND: 4V maximum

FM antenna: 75Ω

AM antenna: 12 μH

POWER: 12V ~AC, 1.0 A

Outputs

Variable audio: SPEAKERS A and B

Fixed audio: FIXED, TAPE

Headphone: 32Ω minimum impedance

SYSTEM CONTROL: for use with Bose® powered speakers and accessories

Remote control range

65 feet (20 m)

Dimensions

Music center

15.0" W x 7.8" D x 2.5" H
(38.1 cm x 19.7 cm x 6.4 cm)

Cube speakers

3.0" W x 4.8" D x 6.2" H
(7.6 cm x 12.1 cm x 15.9 cm)

Bass module

12.6" W x 9.9" D x 20.1" H
(32.5 cm x 25.1 cm x 51.0 cm)

Weights

Music center

3.7 lb (1.7 kg)

Cube speakers

2.0 lb (.9 kg)

Bass module

37 lb (16.8 kg)

Finish

Music center

Simulated aluminum, Polymer

Cube speakers

Polymer, painted

Bass module

Vinyl veneer

- Antenna
 - Connections 13
 - Grounding 3
- Automatic shutoff 24
 - AUTO OFF key 24, 26
- Batteries
 - Installation
 - RC-5 remote control 15
 - RC-10 remote control 25
 - Replacing 29
- CD player
 - Listening to 22
 - Operating 22
 - Programming 28
 - Random play 18, 27
- Channel spacing, AM and FM 15
- Connections
 - Additional Bose® powered speakers 10
 - AM antenna 14
 - Bose® Lifestyle® powered speakers 10
 - Bose Wave® radio 12
 - Bass module power (mains) cord 8
 - Bass module to music center 8
 - Cube speaker arrays to bass module 7
 - External components
 - CD changer 16
 - Tape deck 16
 - Turntable 17
 - TV, VCR, or Laserdisc player 17
 - FM antenna 13
 - Headphones 17
 - Lifestyle® powered speakers to music center 11
 - Music center power pack 14
- Controls
 - Music center 18
 - Room compensation 9
- Customer Service 30
- Display, music center 18
- External components
 - Connections 16
 - Operation
 - CD changer 23
 - Tape deck 22
 - TV, VCR, or Laserdisc player 23
- House codes, changing 24
- Placement
 - Bass module 6
 - Cube speakers 5
 - Lengthening the wires 7
 - Lifestyle® music center 5
- Presets
 - Erasing 21
 - Selecting 20
 - Setting 21
- Remote control
 - Lifestyle® RC-5 remote control 19
 - Lifestyle® RC-10 deluxe remote control 26
- Room compensation controls 9
- SPEAKERS B outputs 10, 25
- Technical information 32
- Tuning
 - Manual 20
 - Preset stations 21
 - Switching between AM and FM 20
- Two-room listening 25
 - Lifestyle® RC-5 remote control 25
 - Lifestyle® RC-10 deluxe remote control 27
 - Operating considerations 27
- Voltage selection
 - Choosing a power pack 14
 - Lifestyle® powered speakers 11
- Volume adjustment 20
 - Lifestyle® powered speakers 11
 - Two-room listening 27
- Warranty 31
- ZONE switch 27

Bose® Corporation

USA

Bose Corporation, The Mountain
Framingham, MA 01701-9168 USA
1-800-444-BOSE (1-800-444-2673)
Weekdays 9 a.m. to 9 p.m.;
Saturdays 9 a.m. to 5 p.m. ET (eastern time)

Canada

Bose Ltd., 8-35 East Beaver Creek Road
Richmond Hill, Ontario L4B 1B3
1-800-444-BOSE (1-800-444-2673)
Weekdays 9 a.m. to 5 p.m. ET (eastern time)

European Office

Bose Products B.V., Nijverheidstraat 8
1135 GE Edam, The Netherlands
TEL 02993-71055 FAX 02993-68163

Australia

Bose Australia, Inc., 11 Muriel Avenue
Rydalmere, N.S.W. 2116
TEL 02 684-1022 FAX 02 684-1665

Belgique/België

Bose N.V., Essenestraat 16, 1740 Ternat
TEL 02-5826200 FAX 02-5823717

Danmark

Bose A/S, Industrivej 7, 2605 Brøndby
TEL 43437777 FAX 43437818

Deutschland

Bose GmbH, Max-Planck-Straße 36
Postfach 1125, 61381 Friedrichsdorf
TEL 06172-71040 FAX 06172-710419

France

Bose S/A, 6, rue Saint Vincent
78100 Saint Germain en Laye
TEL 01-30610461 FAX 01-30614105

Ireland

Bose Ltd., Castleblayney Road
Carrickmacross, Co Monaghan
TEL 042-61988 FAX 042-61998

Italia

Bose S.p.A., Via Luigi Capucci 12
00147 Rome
TEL 06-5127641/2 FAX 06-5115438

Nederland

Bose B.V., Nijverheidstraat 8
1135 GE Edam
TEL 02993-66661 FAX 02993-68166

Norge

Bose A/S, Kirkegt 1, Box 374
N-2001, Lillestrøm
TEL 63-838703 FAX 63-838704

Schweiz

Bose A.G., Rünenbergerstrasse 13A
4460 Gelterkinden
TEL 061-995544 FAX 061-995502

Sverige

Bose A/S, Blandsädsgratan 2D
43146 Mölndal
TEL 031-878850 FAX 031-274891

United Kingdom

Bose U.K. Ltd., Trinity Trading Estate
Sittingbourne, Kent ME10 2PD
TEL 0795-475341/5 FAX 0795-427227

Other Locations

Bose Service, Otis Street Park,
Building 3, PO Box 5045,
Westborough, MA 01581-5045 USA
TEL (508) 229-8484 FAX (508) 229-3891



printed on recycled paper

BOSE[®]
Better sound through research.

© 1994 Bose Corporation,
The Mountain, Framingham, MA 01701-9168 USA
JN94936 PN172340 Rev.1